

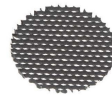
Project Name: _____ Type: _____ Quantity: _____

INTENDED USE

The directional LED architectural-grade landscape up light 120V, 360° rotate, 180° tilt was designed for outdoor landscape lighting, building facades, gardens, lawns, tree accent and brush lighting. The tempered glass lens is available with a shroud for more purposeful directional lighting.

FEATURES

- Construction:** Die-Cast Aluminum Housing
- Gasket:** Silicone Rubber
- Lens:** Tempered Glass
- Voltage:** 120V AC
- Dimming:** Non-Dimming Standard
TRIAC Dimming Optional
- Ambient Temperature:** -4°F~113°F (-20°C~45°C)
- Driver:** Constant Current (Built-In)
- Listings:** cETLus Listed, IP65 Wet Rated
- Warranty:** 5 Years Carefree for Parts & Components
(Labor Not Included)



HL - Honeycomb Louver



TS - Tree Strap



JB - Junction Box

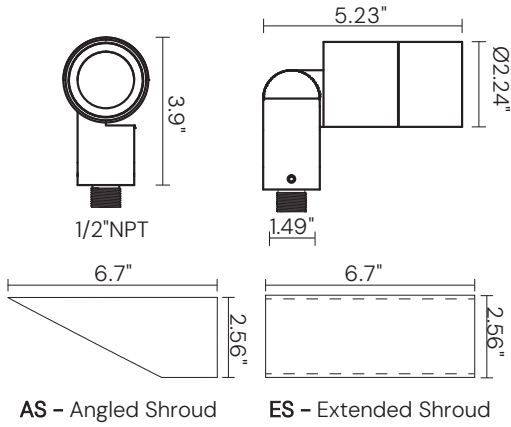
ORDERING INFORMATION Example: [\(9165-SM-4-30K-WH-S-TS\)](#)

Model	Size	Wattage Lumens	Color Temp	Finish	Beam Angle	Mounting	Options	
9165	SM Small	4 4 Watts 350 lms	27K ¹ 2700K	WH White	S 15° Spot	TS 24" Tree Strap	AS Angled Shroud	
		6 6 Watts 500 lms	30K 3000K	SL Silver	NF 25° Narrow	JB Junction box	ES Extended Shroud	
		8 8 Watts 680 lms	40K 4000K	BK Black	F 40° Flood		TRI TRIAC Dimming	
		15 15 Watts 1050 lms	50K 5000K	BR Bronze			HL Honeycomb Louver	
	MD Medium	20 20 Watts 1400 lms			GR Graphite			M Marine Ambient
		30 30 Watts 2100 lms						CR Corrosion Resistant
		40 40 Watts 2800 lms						REM Remote Emergency
								BA Back-up Battery

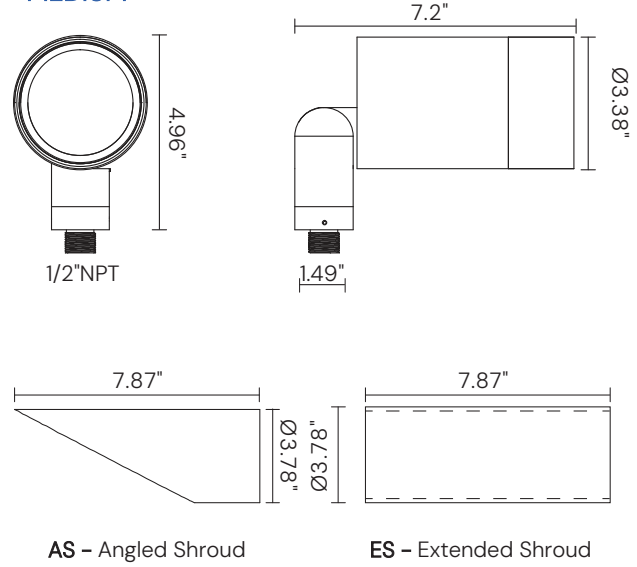
¹ Only available for Small

DIMENSIONS

SMALL



MEDIUM



LARGE

