

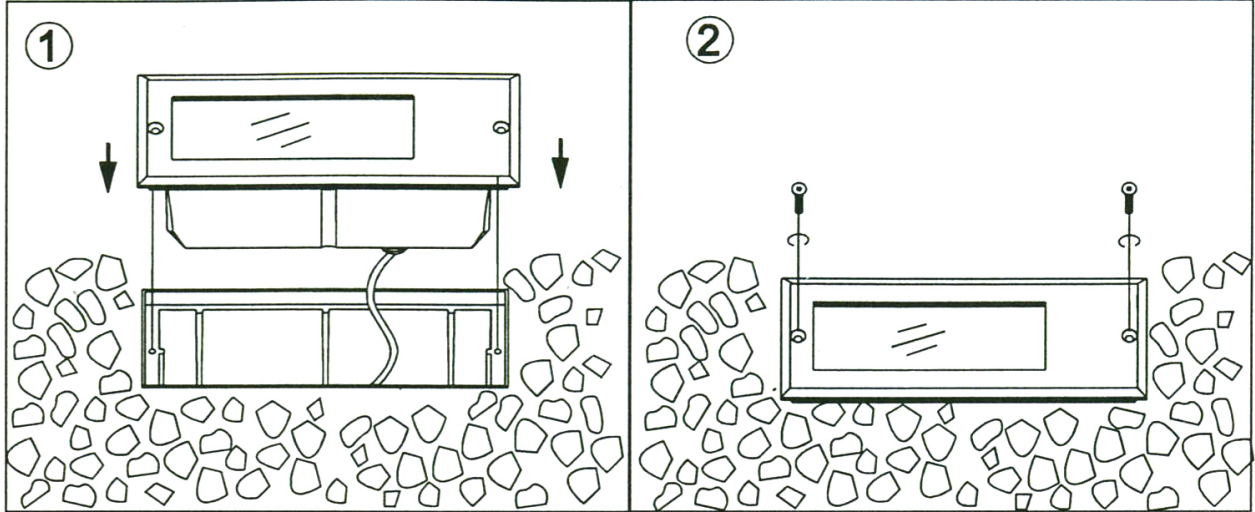
## 9135 - INSTALLATION INSTRUCTIONS

---

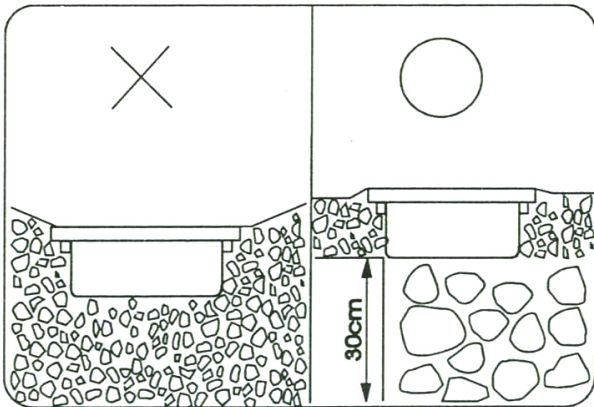
1. Use a qualified electrician for installation of this lighting fixture.
2. This fixture has IP rating: IP54.
3. Before installing fixture, disconnect power by turning the circuit breaker or by removing the fuse at the fuse box.
4. Follow the assembly instruction by reading the alphabetical progression.
5. Connect wires to power supply and ensure wire connection must be waterproof when using in outdoor environment.
6. This fixture has assembled non-replaceable 4 X Superflux LED.
7. Turn on power. Enjoy your lighting product.

9135 - INSTALLATION INSTRUCTIONS

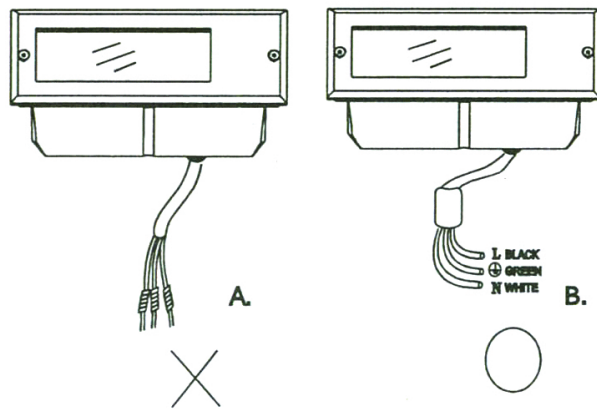
**A**



**B**



**C**



IP67 AC 120V 60Hz

