

FEATURES & SPECIFICATIONS

INTENDED USE

The **Rio Landscape Architectural LED Directional Uplight** is designed with a silicone sealed gasket to protect from water, moisture, and insects and features quick installation and adjustability. The Rio is an ideal solution for landscape applications looking for energy efficient lighting.

DETAILS

W 2.28" x **L** 8.3" x **Dia** 2.39"

Construction: UV Treated Solid Brass with High Temperature Ceramic Socket, Adjustable Thumb Screw, and Stainless Steel Spring Shroud Included

Lens: Watertight, Heat Resistant Glass Lens

Adjustable: Vertical Tilt / Horizontal Rotation

Mounting: In-Ground 2" x 8" ABS Stake Included

LED Type: Chip-On-Board

Lamp Type: MR-16 (50W Max)

Electrical: 3 FT Wire

Low Voltage 12V or 24V Transformer Required

Wire Connectors Required

ADDITIONAL FEATURES

Voltage: 120-277

Lamp Voltage: 12V AC

Wattage: 9W

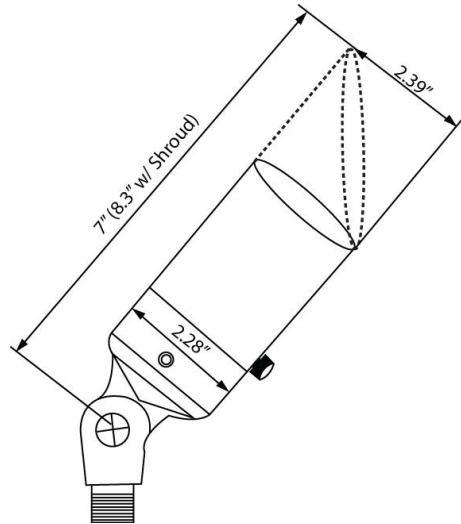
Lumens: 500 lms

Dimming: Down to 100%

Beam Angle: 80°

Listings: UL Listed, RoHS Compliant

Lifetime Warranty on Fixture



Ordering Information:

Example: (9104-30K)

Model

9104

Color Temp

- 30K** 3000K Warm White
- 40K** 4000K Cool White
- 60K** 6000K Day Light