

Project Name: _____ Type: _____ Quantity: _____

INTENDED USE

Landscape LED well lighting with an open face cover affords strong light output. The tempered glass lens protects the light from the environment. Constructed for below-grade commercial applications in 120-277 volts, for soil and concrete, in stainless steel. Also available with RGBW color-tuning technology.

DETAILS

D 10.25" x W 10.25" x H 12.5"

Construction: Stainless Steel w/ PVC Sleeve

Installation: Rated for In-Ground Soil and Concrete Applications

Lens: Clear, Heat Resistant, Tempered Glass

ADDITIONAL FEATURES

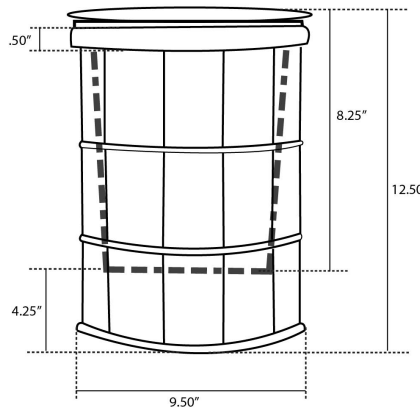
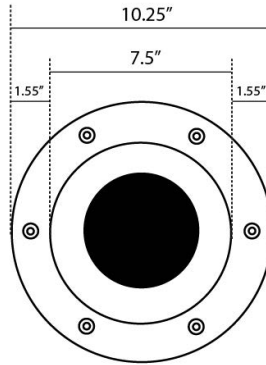
RGBW Controller: Bluetooth via Smart Life - Smart Living mobile app (available for iOS and Android devices)

CRI: 80+

Life: 35,000 Hours

Listing: ETL Approved for Wet Location

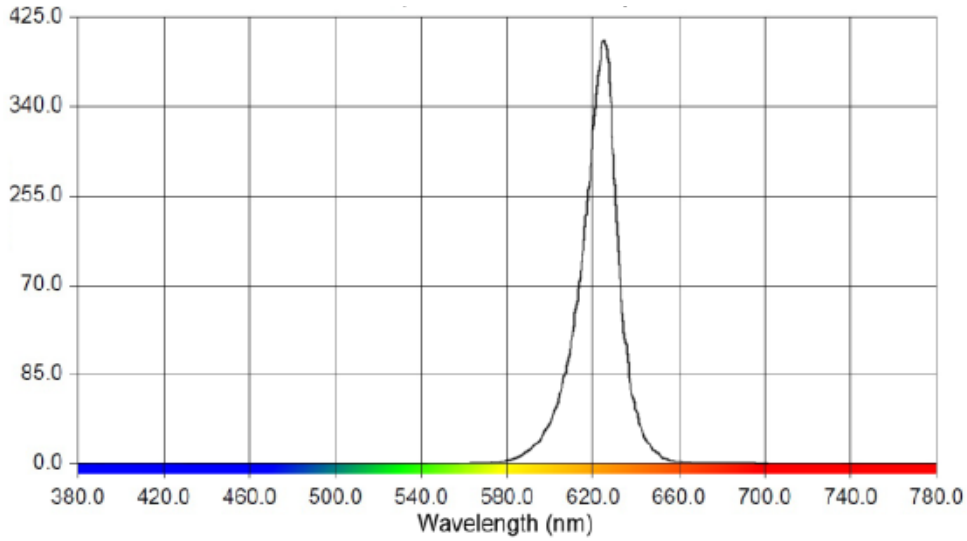
Lamp Type: PAR38 LED Included



ORDERING INFORMATION Example: (9094-RGBW)

Model	Lamp Type	Color Temp
9094	RGBW RGBW 15W 1300 lms 120° Beam Spread 120V	(Blank) RGB + W (27-64K)
	TF Turtle Friendly 15W 450 lms 40° Beam Spread 120V	(Blank) 630nm Turtle Friendly
	W25 White 12.5W 1200 lms 25° Beam Spread 120-277V	27K 2700K
	W40 White 12.5W 1200 lms 40° Beam Spread 120-277V	30K 3000K
		40K 4000K
		50K 5000K

Turtle Friendly Wavelength Chart



Color Temperature Guide

COLOR TEMPERATURE GUIDE

2700K	3000K	3500K	4000K	5000K
WARM WHITE	SOFT WHITE GLOW	NEUTRAL GLOW	COOL WHITE GLOW	DAYLIGHT GLOW
friendly personal intimate	soft warm pleasing	sociable inviting non-threatening	neat clean efficient	bright cool alert
HOMES LIBRARIES RESTAURANTS	HOMES HOTEL ROOMS LOBBIES RETAIL STORES	EXECUTIVE OFFICES RECEPTION AREAS SUPERMARKETS	OFFICES CLASSROOMS MASS MERCHANTISERS SHOWROOMS	GRAPHICS INDUSTRY HOSPITALS GALLERIES BEAUTY SALONS
✓	✓	✗	✓	✓