

## FEATURES & SPECIFICATIONS

### INTENDED USE

The **Casto Architectural LED Step Light** is a heavy duty corrosion resistant fixture designed to provide energy efficient and lasting lighting. The Casto Step Light is best used on concrete, brick, or other masonry surfaces.

### DETAILS

**W** 8.75" x **H** 2.5" x **D** .5"

**Construction:** Heavy Duty Corrosion Resistant Cast Brass with slim stainless steel backplate

**Lighting Source:** Integrated LED, 24 single cores

**Wiring:** Pre-wired with a 25 ft SPT2-W direct burial cord, pre-stripped for easy connection, wire connector available separately

**Mounting:** Surface mount

**Finish:** Antique Bronze

**Lens:** Frosted

### ADDITIONAL FEATURES

**Voltage:** 8-15VAC

**Wattage:** 5W

**Lumens:** 450 lms

**Color Temperature:** 3000K

**CRI:** 80+

**Dimming:** Remote 12V Magnetic Low Voltage Transformer

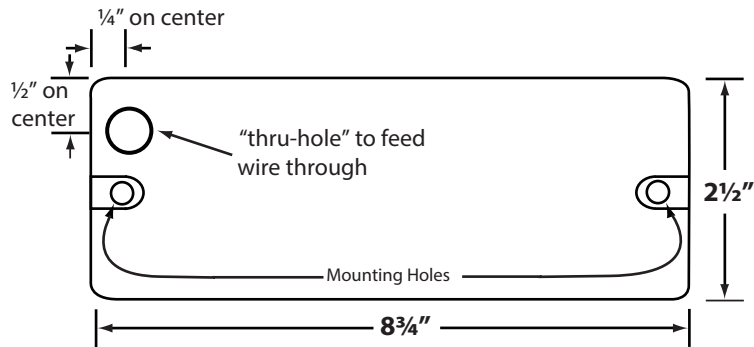
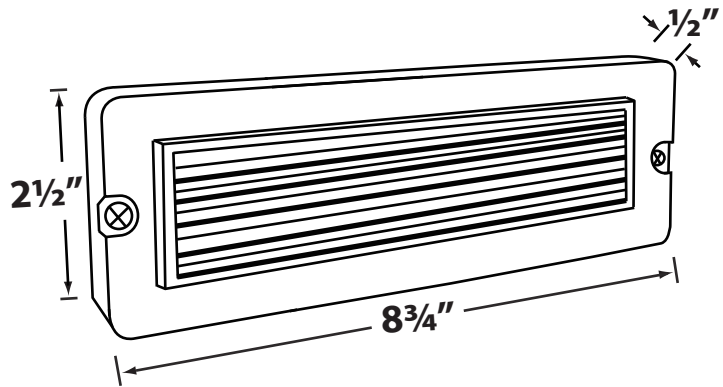
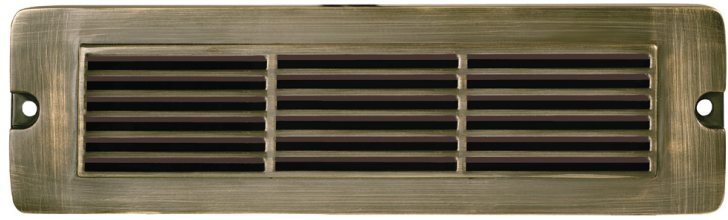
*(Not for use with electronic transformer)*

**Ambient Temperature:** -40°F - 124°F

**Life:** 30,000 Hours

**Halogen Equivalent:** 35W

**Warranty:** Limited lifetime warranty on fixture housing and faceplate against manufacturer's defects  
10 Year Warranty on LED modules and components



**BACKPLATE**



### Ordering Information:

Example: (9088)

Model

Options



9088

**UWC** Universal Wire Connector

Casto

**SWN** Silicone Wire Nut