

FEATURES & SPECIFICATIONS

INTENDED USE

The **Alcon Lighting 9085 Grove Architectural LED High Grade Flood Light Outdoor Fixture** is adjustable for wall or ground applications with LED lamp sources and is ideal for general illumination of trees, side buildings, gardens, atriums, and signage.

DETAILS

W 4.375" x **L** 5.5" x **H** 7.5"

Construction: High-grade die cast aluminum and anti-aging powder coat finish

Reflector: Glare-free deep mounted singular heavy-gauge aluminum

Junction Box: Minimum 24" whip

Adjustable: 75° Up/35° Down, 45° (Max) Left/Right

ADDITIONAL FEATURES

Type: Adjustable Flood/Spot

Voltage: 120-277 AC (50/60 Hz)

Wattage: 11W

Lumens: 600 lms

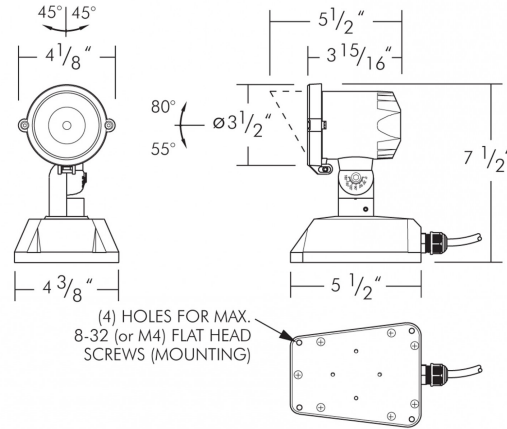
CRI: 80

Dimming: Universal dimming system compatible with most 3-Wire ELV, 2-Wire Incandescent, and 5-Wire 0-10V dimmers

Lamp Life: L70 - 50,000 Hours

Power Factor: > 0.90

Lamp Equivalent: 70W Metal Halide Lamp



Ordering Information:

Example: (9085-4-O-30K-BK-B15-D)

Model	Faceplate	Color Temp	Finish	Beam Spread	Dimming	Accessories
9085-4	O Open V Visor	Blank 4000K (Standard) 27K 2700K ¹ 30K 3000K 35K 3500K ¹ 50K 5000K ¹	BK Black BZ Bronze	B15 15° Spot B30 30° Narrow Flood B45 45° Flood	ND Non-Dimming (120V/277V) D Dimming (120V/277V)	STRAP Tree Strap SPIKE Ground Spike

¹Special Order. Additional Lead Time.