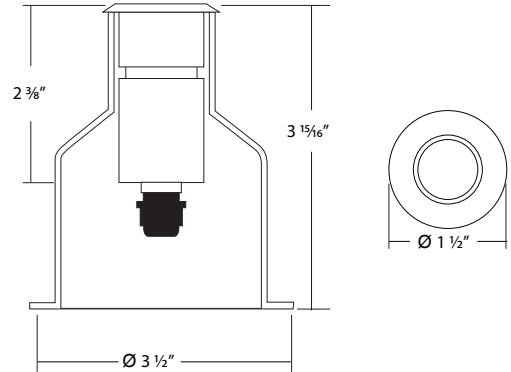




Alcon Lighting 9057



**Installation:**

The floodlight is supplied by us with the led pre-installed and connected with 1 meter cable section 2x1mm<sup>2</sup> H05Rnf The cable and the fixture must not be tampered with for any reason.

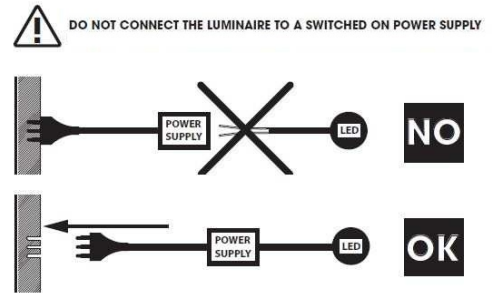
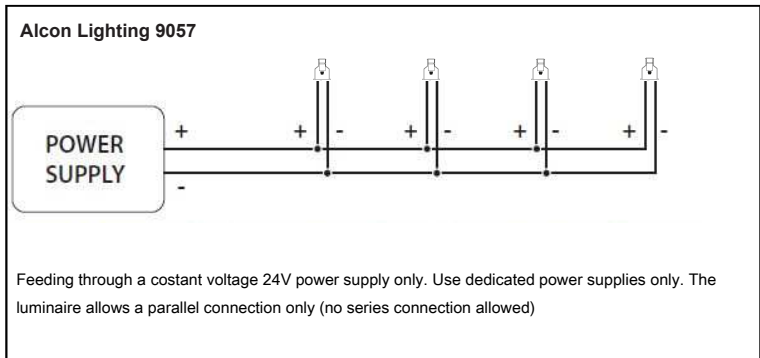
**Relamping and maintenance:**

- It is necessary before opening the fixture to carefully wipe the floodlight then unscrew the round frame by the proper key
- If the gasket is **damaged, deformed or not in perfect conditions it is necessary to change it**
- it is essential to do a frequent cleaning of the glass and of the outer surface of the fixture to avoid build up of mud and dirtiness resulting in dangerous overheating due to incorrect light and heat dissipation. Clean carefully the glass screen removing limestone deposits by means of a scraper.

**LED VERSION - RISK GROUP 2:**

**CAUTION: Possibly hazardous optical radiation emitted from this product. Do not stare at operating lamp. May be harmful to the eye. The replacement must be done by a qualified electrician.**

-Feeding must be done through a safety power (SELV) providing 24V DC stabilized secondary tension.



**Cable Connection Example**

