

Project Name:

Type:

Quantity:

Alcon 9057 Recessed Aircraft Steel Mini In-Ground Powerful LED Light

**FIXTURE SPECIFICATIONS**

**INTENDED USE**

With an in-ground design for use with certain magnetic and electronic transformers, our aircraft steel LED fixture provides powerful 1.5-inch deck or driveway lighting. Our lighting includes aircraft-grade construction and a half-frosted tempered glass lens with a three-foot silicone wire included. This product may be used in cement. Polypropylene housing for recess included.

**DIMENSIONS**

**Dia.** 1 1/2"

**W** 3 1/2"

**H** 3 15/16"

**FEATURES**

**Construction:** Aircraft grade steel construction stainless steel ring AISI 316 - CD range

Polypropylene housing for recess

**Lens:** Half-frosted tempered glass

**Driver:** Driver not included. Works with 12V/24V electronic & 12V magnetic transformers. Does not work with 24V magnetic. Using a max allowance of 80% on the driver is recommended. Voltage drop may occur after 30ft depending on the overall draw

**Voltage:** 12V

**Wattage:** 1W

**Lumens:** 100kms

**Color Temperature:** 3000K

**Dimming:** Not Dimmable

**Beam Angle:** 5° Spot

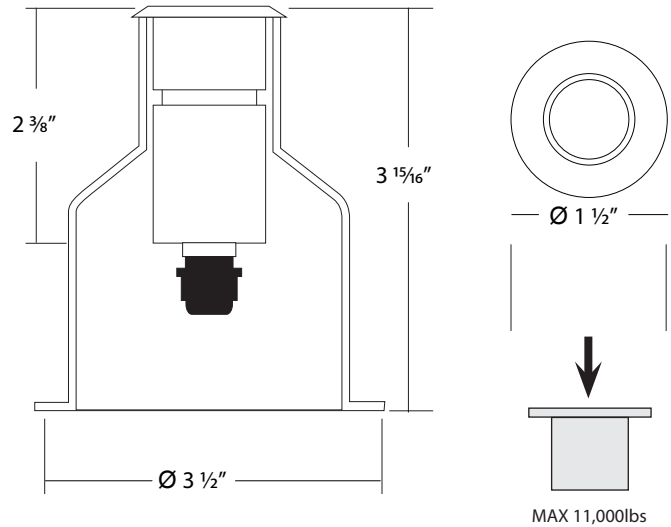
**Warranty:** 5 Year

**Rating:** IP67, cETLus

3 FT silicone wire included

Bulb included

Product of Italy



**ORDERING INFORMATION** Example: (9057)

Model  
**9057**