

FEATURES & SPECIFICATIONS

INTENDED USE

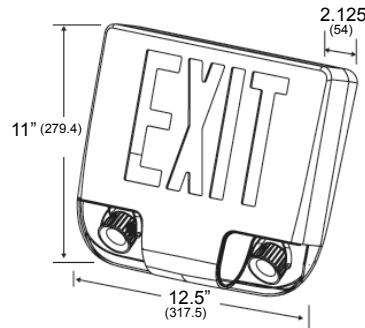
The 904 Combination LED Exit and Emergency Spot Light is a unique new design made with extruded aluminum housing and a spec-grade curve face plate. This product is compact and energy efficient. The 904 is perfect for hotels, offices, retail outlets, restaurants, and more.

SIZE

L 12.5" x H 11"

ADDITIONAL SPECIFICATIONS

- Universal wall mounting K/O pattern. Canopy and mounting hardware provided.
- Maintenance-free and rechargeable Ni-Cad battery; Fully automatic solid-state, two-rate charger initiates battery charging to recharge a discharged battery in 24 hours.
- 90 minute emergency illumination (minimum) with LVD (Low Voltage Disconnection) preventing battery from deep discharge.
- Meets UL924, NFPA 70 Life Safety Code, NFPA 101, NEC, OSHA, Local and State Codes.
- UL listed for wet locations (-20°C - 50°C / -4°F - 122°F)
- Voltage: 120/277V



Listings:



Ordering Information:

Example: (903-1-R-W-W-AC)

Model	# of Faces	Letter Color	Housing Finish	Face Finish	Driver	Options
<input type="text"/>	<input type="text"/>	<input type="text"/>	<input type="text"/>	<input type="text"/>	<input type="text"/>	<input type="text"/>
902	1 Single 2 Double 3 Universal Single/Double	R Red G Green	W White B Black A Brushed Aluminum	W White B Black A Brushed Aluminum	AC AC only EM Battery Backup	FP Face Plate