

Project Name: _____ Type: _____ Quantity: _____

FIXTURE SPECIFICATIONS

INTENDED USE

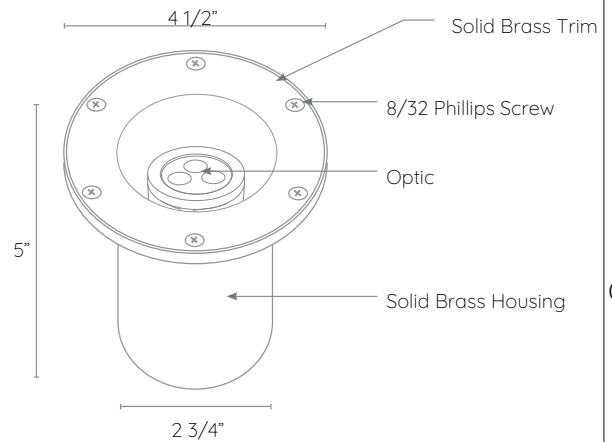
Our architectural LED uplight is manufactured for endurance with its solid bright housing. With 120-volt line voltage, this well light is perfect for either residential or commercial use.

FEATURES

- Construction: Solid Brass
- LED Lamp: LED Lamp Adjustable by 40°
- Voltage: 120V
- Listings: ETL, Wet Listed



Optional Concrete Pour Sleeve



Ordering Information: Example: (9036-8-B19-40K-SB)

Model	Wattage Lumens	Beam Spread	Color Temp	Finish	Options
9036	1 1W 80lms	B19 19° Spot	27K 2700K	SB Standard Satin Brass	CPS Concrete Pour Sleeve
	2 2W 150lms	B29 29° Narrow Flood	40K 4000K	BK Black	
	3 3W 200lms	B45 45° Flood	50K 5000K	GM Gun Metal	
	6 6W 300lms	B120 120° Wide Flood		MB Matte Bronze	
	8 8W 580lms			AB Aged Brass	
				RC Raw Copper	
				SA PVD Satin	
				RY Rusty	
			VE Verde		
			MO Moss		

Alcon 9036 5-Inch Adjustable In-Ground LED Well Light