

Project Name:

Type:

Quantity:

FIXTURE SPECIFICATIONS

INTENDED USE

Our architectural LED uplight for shrubs, trees and pathways is created with an emphasis on durability. With a cast brass finish, tempered and heat-resistant flat glass lens and a silicone-sealed, weather-tight gasket to protect the product from insects, water and moisture, the top-grade, adjustable ceramic bi-pin socket landscape light provides quality, energy-efficient lighting

FEATURES

H 4.875" x Dia 4.875"

Construction: Injected Molded Composite for High UV Stability

Mounting: In-Ground Direct Burial or Concrete Encasement

Faceplate: Cast Brass with Heat Dissipative Holes

Lens: Clear and Heat resistant Flat Glass

Socket: Top Grade Adjustable (25°) Ceramic Bi-Pin Socket with Retention Clip and Teflon-Jacketed Wire Lead

Gasket: Weather Tight Protection

Wiring: Pre-wired with a 3 FT 18-2 SJT-W Direct Burial Cord

Electrical: Remote 12V Transformer Required

Voltage: 9-17V

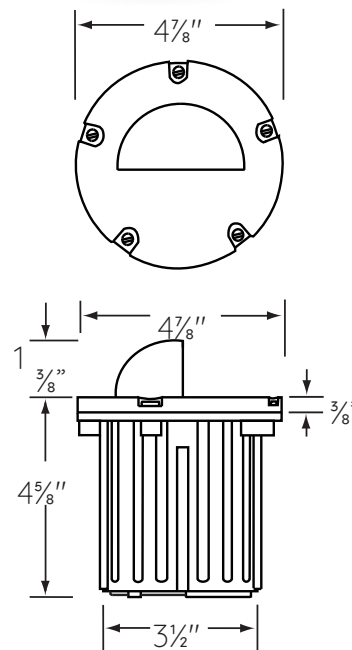
Wattage: 5W

Life: 50,000 Hours

Lamp Equivalent: 12V, MR-16 Halogen 50W Max

Warranty: Limited Lifetime Warranty on Fixture

10 Year Warranty on Housing



ORDERING INFORMATION Example:(9029-30K-15-GM-CPK)

Model	Color Temperature	Beam Spread	Finish	Options
9029	27K - 2700K 30K - 3000K	15 - 15° Spot 38 - 38° Flood 60 - 60° Wide Flood	GM - Gunmetal AB - Antique Bronze	CPK - Concrete Pour Kit