

FIXTURE SPECIFICATIONS

INTENDED USE

Our architectural LED uplight is manufactured for endurance with drive-over rated, tempered lens and a silicone-sealed gasket to protect the lighting fixture from insects, water and moisture. This product is ideal for uplighting landscape lawns and gardens, including shrubs, trees and pathways. The cast brass finish and clear, heat-resistant flat glass lens assure premium performance.

FEATURES

W 4.875" x **H** 4.625" x **Dia** 4.875"

Construction: Injected Molding Composite for High UV Stability

Mounting: In-Ground Direct Burial or Concrete Encasement

Faceplate: Cast Brass with Heat Dissipative Holes

Lens: Clear and Heat resistant Flat Glass Driver-Over Rated for 3000LBS

Socket: Top Grade Adjustable (25°) Ceramic Bi-Pin Socket with Retention Clip and Teflon-Jacketed Wire Lead

Gasket: Weather Tight Protection

Wiring: Pre-wired with a 3 FT 18-2 SPT2-W Direct Burial Cord

Electrical: Remote 12V Transformer Required

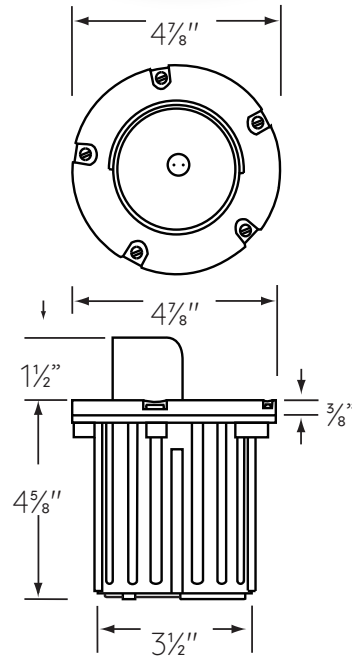
Voltage: 9-17V

Wattage: 5W

Life: 50,000 Hours

Lamp Equivalent: 12V, MR-16 Halogen 50W Max

Warranty: Limited Lifetime Warranty on Fixture
10 Year Warranty on Housing



ORDERING INFORMATION Example:(9027-450-30K-15-GM-CPK)

Model	Lumens	Color Temperature	Beam Spread	Finish	Options
9027	450 - 450 LMS 470 - 470 LMS	27K - 2700K 30K - 3000K	15 - 15° Spot 38 - 38° Flood 60 - 60° Wide Flood	GM - Gunmetal AB - Antique Bronze	CPK - Concrete Pour Kit