

## FIXTURE SPECIFICATIONS

### INTENDED USE

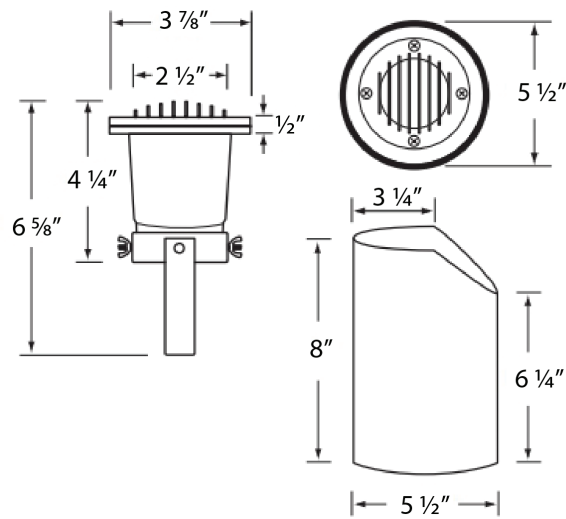
The Cooper 9025 is the ideal solution for outdoor well lighting applications. Assembled in the U.S.A. with a body of cast brass or 316 Grade stainless steel. The product matches functionality, design, and consistent quality. All materials and finishes are specially chosen and applied for a long lasting fixture.

### SIZE

H 6 5/8" x Dia 3 7/8"

### ADDITIONAL FEATURES

- Cast Brass or Stainless Steel adjustable fixture
- Reversible PVC Sleeve with a flat or angle cut option
- 2700K Color Temperature Warm White
- 3' 18-2 SJTW Burial Cord comes standard
- Mount in-ground direct burial or concrete encasement
- Voltage 12V AC/DC
- Dimmable
- CRI: 80; Ambient Temperature: -22F° to +122F°
- Limited Lifetime Warranty on Fixture only
- 5 year Warranty on LED



### Ordering Information Example: (9025-5W27K15-CB)

Model	Wattage   Lumens   Color Temp   Beam	Finish
9025	<b>5W27K15</b> 5 watts / 450 lms / 2700K / 15° Spot	CB Cast Brass
	<b>5W27K45</b> 5 watts / 450 lms / 2700K / 45° Flood	SS Stainless Steel
	<b>5W27K60</b> 5 watts / 450 lms / 2700K / 60° Wide Flood	
	<b>5W30K15</b> 5 watts / 470 lms / 3000K / 15° Spot	
	<b>5W30K38</b> 5 watts / 470 lms / 3000K / 38° Flood	
	<b>5W30K60</b> 5 watts / 470 lms / 3000K / 60° Wide Flood	