

FIXTURE SPECIFICATIONS

INTENDED USE

The Logan Architectural LED Well Light is designed to be durable and long lasting while providing quality illumination. The Logan is an ideal solution for outdoor well lighting applications.

DIMENSIONS

H 6-1/2" x Dia 3-7/8"

FEATURES

Construction: Stainless Steel or Cast Brass Adjustable Fixture, Suspended Inside a Reversible PVC Sleeve with Both Flat and Angle-Cut Options

Lens: Clear, Tempered, and Heat Resistant Convex Glass Extra Flat Lens Included

Faceplate: Sealed by Silicone "O" Ring

Socket: Top Grade Ceramic Bi-Pin Socket with Retention Clip

Wiring: Pre-Wired with a 3 FT 18-2 SJT-W Direct Burial Cord

Mounting: In-Ground Direct Burial or Concrete Encasement

Lamp Equivalent: MR-16 Halogen 50W Max

Electrical: Remote 12V Transformer Required

Voltage: 9-17V

Wattage: 5W

Lumens: 450 lms

Color Temperature: 2700K

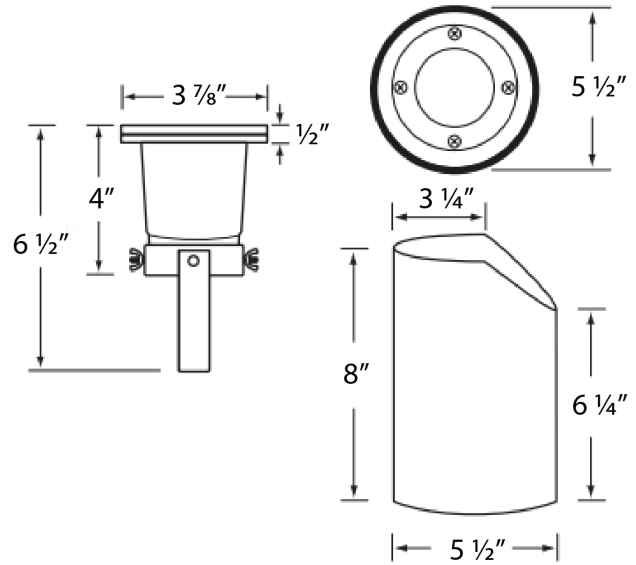
CRI: 80

Ambient Temperature: -22°F - 122°F

Life: 50,000 Hours

Warranty: 5 Years on LED

Limited Lifetime Warranty on Fixture Only



Alcon 9023 Low-Voltage 6-Inch Adjustable In-Ground LED Well Light



ORDERING INFORMATION Example: (9023-27K-SP15-AB)

Model	Color Temperature	Beam Spread	Finish
9023	27K 30K	SP15 15° Spot FL38 38° Flood WF60 60° Wide Flood	AB Antique Bronze SS 316 Grade Stainless Steel