

FIXTURE SPECIFICATIONS

**INTENDED USE**

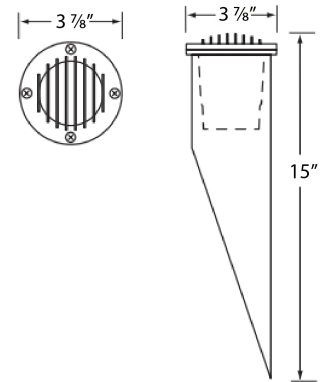
The Mason 9022 is the ideal solution for outdoor well lighting applications. Assembled in the U.S.A. with a body of cast brass or 316 Grade stainless steel. The product matches functionality, design, and consistent quality. All materials and finishes are specially chosen and applied for a long lasting fixture.

**SIZE**

H 15" x Dia 3 7/8"

**ADDITIONAL FEATURES**

- Cast Brass fixture
- PVC Sleeve includes stainless steel retention clips
- 2700K Color Temperature Warm White
- 3' 18-2 SJTW Burial Cord comes standard
- Mount in-ground direct burial or concrete encasement
- Voltage 12V AC/DC
- Dimmable
- CRI: 80; Ambient Temperature: -22F° to +122F°
- Limited Lifetime Warranty on Fixture only
- 5 year Warranty on LED



ORDERING INFORMATION Example: (9022-5WF-AB)

Model	Light Source	Finish
9022	3.5F 3.5 watt LED / 270 lumens / 45° Flood / 2700K 5F 5 watt LED / 470 lumens / 38° Flood / 3000K 5WF 5 watt LED / 470 lumens / 60° Wide Flood / 3000K	AB Antique Bronze SS 316 Grade Stainless Steel