

FIXTURE SPECIFICATIONS

INTENDED USE

Our architectural LED uplight is manufactured for endurance with drive-over rated, tempered lens and a silicone-sealed gasket to protect the lighting fixture from insects, water and moisture. This product is ideal for uplighting landscape lawns and gardens, including shrubs, trees and pathways. The cast brass finish and clear, heat-resistant flat glass lens assure premium performance.

FEATURES

Construction: Injected Molded Composite for High UV Stability

Mounting: In-Ground Direct Burial or Concrete Encasement

Lens: Clear and Heat resistant Flat Glass Driver-Over Rated for 3000LBS

Socket: Top Grade Adjustable (25°) Ceramic Bi-Pin Socket with Retention Clip and Teflon-Jacketed Wire Lead

Gasket: Weather Tight Protection

Wiring: Pre-wired with a 3 FT 18-2 SPT2-W Direct Burial Cord

Electrical: Remote 12V Transformer Required

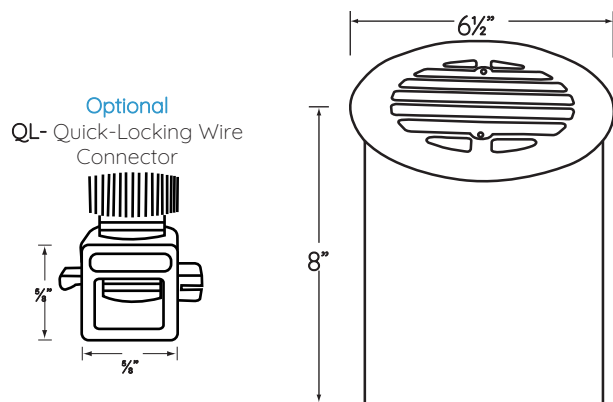
Voltage: 12V

Finish: Brass

Color Temperature: 2700K Warm White

Life: 50,000 Hours

Warranty: 5 Years Carefree for Parts & Components (Labor Not Included)



ORDERING INFORMATION Example: (9015-6L-45)

Model	Wattage Lumens		Beam Spread		Options
9015	6L	6W 610 Lumens	45	45° Flood	QL Quick-Locking Wire Connector
	8L	10W 800 Lumens		60	
	11L	13W 1150 Lumens			