

Project Name:

Type:

Quantity:

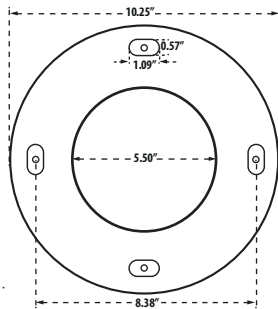
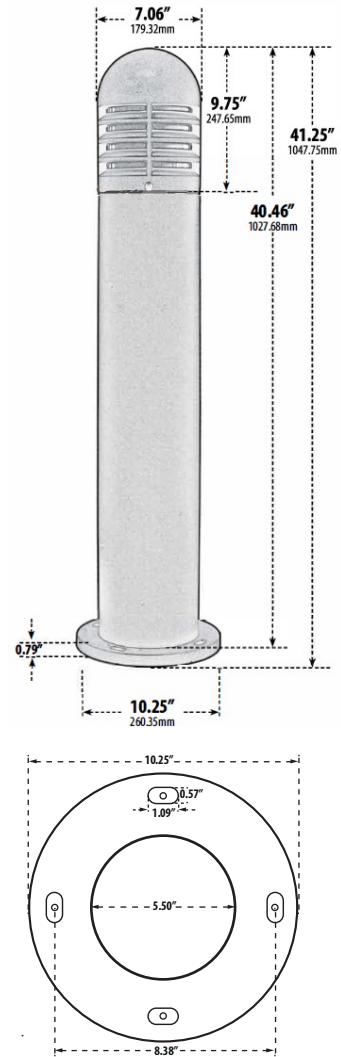
FIXTURE SPECIFICATIONS

INTENDED USE

Alcon's 9006 LED Bollard is configured for outdoor surface mount applications in commercial and industrial buildings. Ideal for pathways, walkways, entrances, and driveways.

ADDITIONAL FEATURES

- Construction:** Powder Coated Steel
- Lens:** White, heat resistant, polycarbonate lens
- Lamp Type:** Tubular G24 2P
- Lumens:** 2000 Lumens
- Wattage:** 20 Watts
- Voltage:** 120-277V
- Listings:** ETL, CA Title-24



BASE PATTERN

Alcon 9006 41 Inch LED Bollard Area Lighting



Ordering Information: Example: (9006-30K-BK)

Model	Color Temperature	Finish
9006	30K 3000K	BK Black
	50K 5000K	BR Bronze