

Project Name:

Type:

Quantity:

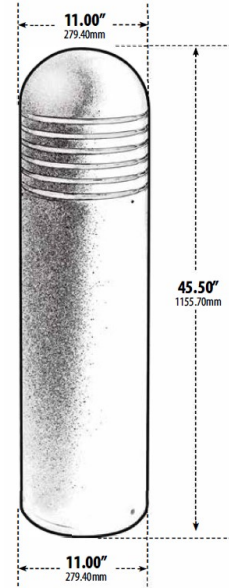
FIXTURE SPECIFICATIONS

INTENDED USE

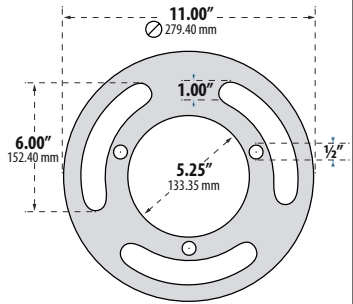
Alcon's 9005 LED Bollard is configured for outdoor surface mount applications in commercial and industrial buildings. Ideal for pathways, walkways, entrances, and driveways.

ADDITIONAL FEATURES

- Construction:** Powder Coated Steel
- Lens:** White, heat resistant, tempered glass lens
- Lamp Type:** Tubular G24 2P
- Lumens:** 2000 Lumens
- Wattage:** 20 Watts
- Voltage:** 120-277V
- Listings:** ETL, CA Title-24



BASE PATTERN



Available Finishes



BR - Bronze



VG - Verde Green

Ordering Information: Example: (9005-30K-BK)

Model	Color Temperature		Finish	
9005	30K	3000K	BK	Black
	50K	5000K	BR	Bronze
			VG	Verde Green

