

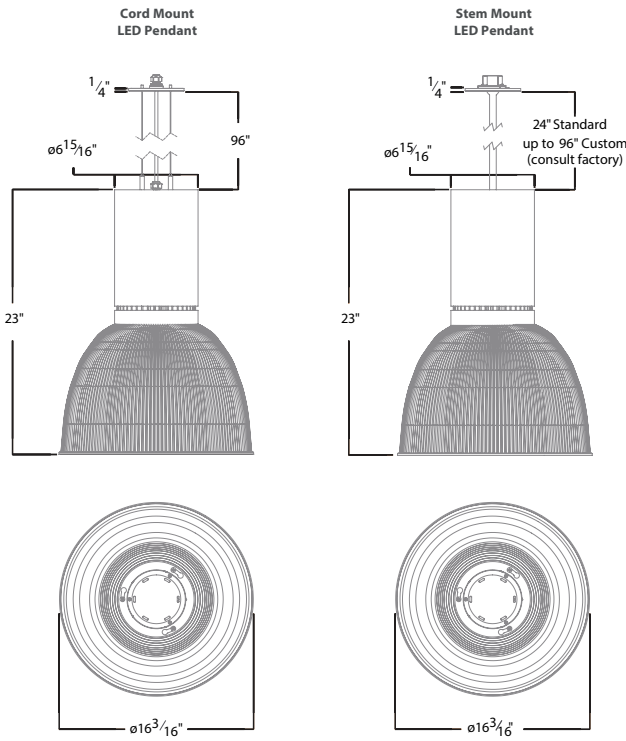
**FIXTURE SPECIFICATIONS**

**INTENDED USE**

The specification grade **80121 Veria** is the ideal solution for warehouse, gymnasium, or other mid to high-ceiling applications where high output LED lighting is desired.

**FEATURES**

- Mount:** Installs in most 3" octagonal, 4" octagonal, 3" round and 4" round boxes
- Lens:** Supplied with 16" diameter frosted prismatic round shade
- Color Quality:** 90+ CRI
- LED:** Cree® LED
- Driver:** 0-10V 5-Wire Dimming
- Input Voltage:** 120/277V, 50/60Hz
- Lifetime:** 50,000 hours at 70% lumen maintenance
- Ambient Operating Temperature:** -20°C to 40°C
- Power Factor:** Greater than 0.9
- Total Harmonic Distortion:** Less than 20%
- Emergency Lighting:** Optional Emergency LED Driver for lighting up to 90 minutes in event of power failure
- Photometric Testing:** Tested in accordance to IESNA LM-79-2008
- Warranty:** 5 Years Carefree for Parts & Components (Labor Not Included)
- Listings:** ENERGY STAR® qualified, California Title 24 2016 compliant, ETL Listed



Alcon Lighting **80121 Veria** Architectural LED Acrylic Shade High Bay High Performance Light Fixture



**ORDERING INFORMATION** Example: (80121-15-35K-WH-CM)

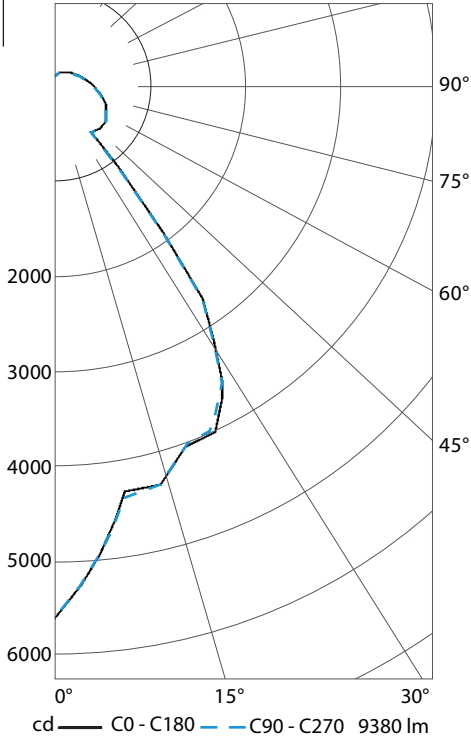
Model	Wattage   Lumens	Color Temperature	Finish	Mounting	Options
<b>80121</b>	<b>15</b> 15 Watts   1500 Lumens	<b>Commercial</b>	<b>WH</b> White	<b>CM</b> Adjustable 8' Cable	<b>EM</b> Emergency Back-up Battery
	<b>20</b> 23 Watts   2000 Lumens	<b>35K</b> 3500K	<b>BK</b> Black	<b>SM</b> 24" Stem	
	<b>30</b> 32 Watts   3000 Lumens	<b>40K</b> 4000K	<b>BS</b> Brushed Steel		
	<b>40</b> 43 Watts   4000 Lumens				
	<b>50</b> 55 Watts   5000 Lumens				
	<b>90</b> 107 Watts   9000 Lumens				

<sup>1</sup> Power Cord matches Finish. White cord for White, Black cord for Black, Silver Cord for Brushed Aluminum

PHOTOMETRY

**80121** 9000 lms | 3500K **80121-90-35K-WH-CM**

**Shade** Frosted



Luminous Intensity

Gamma	C 0°	Gamma	C 0°
0°	5602	95°	394
5°	5026	100°	364
10°	4326	105°	334
15°	4324	110°	306
20°	4029	115°	281
25°	4010	120°	259
30°	3570	125°	240
35°	2718	130°	224
40°	626	135°	210
45°	641	140°	198
50°	653	145°	186
55°	648	150°	176
60°	636	155°	165
65°	611	160°	155
70°	580	165°	142
75°	542	170°	123
80°	499	175°	102
85°	452	180°	108
90°	423		

Values in Candela

Zonal Lumen Summary

Zone	Lumens	Luminaire %
0-30	3458	37
0-40	4907	52
0-60	5985	64
0-90	7696	82
0-180	9380	100

Illuminance Chart

Distance from LED	Foot Candles	Diameter
12'	39	16.5'
14'	29	19.2'
18'	17	24.7'
20'	14	27.5'

Beam Angle: 68°