

## FEATURES & SPECIFICATIONS

### INTENDED USE

The **Veria LED High Bay** is designed to direct all light downward for maximum output and smooth distribution with a field adjustable flexible cable. The Veria is ideal for warehouses, offices, and other environments where high performance lighting is desired.

### DETAILS

**D** 12.5" x **H** 16.125"

**Construction:** Specular metal reflector

**Light Engine:** High output multi-chip LED array

**Mounting:** 120" Adjustable Flexible Cable

### ADDITIONAL FEATURES

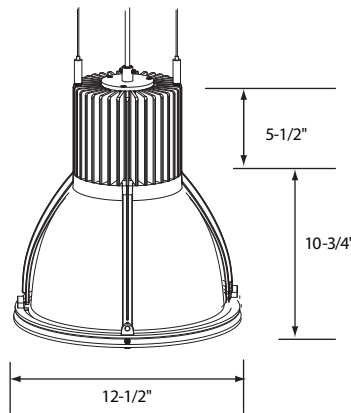
**Voltage:** 120/277

**CRI:** 80+

**Dimming:** 0-10V, dim to 15%

**Life:** L70 - 50,000 Hours

**Listings:** Suitable for damp locations



### Ordering Information:

Example: (80121-28W-27K-BK-EMC)

Model	Wattage & Lumens	Color Temp	Shade	Finish	Options
<b>80121</b> Veria	<b>28W</b> 28 watts, 2200 lms	<b>27K</b> 2700K <b>30K</b> 3000K <b>35K</b> 3500K <b>40K</b> 4000K	<b>(Blank)</b> 12" Acrylic Shade <b>16A</b> 16" Acrylic Shade <b>16AL<sup>1</sup></b> 16" Aluminum Shade	<b>BK</b> Black Housing/ Black Cord <b>WH</b> White Housing/ White Cord <b>SL</b> Silver Housing/ Black Cord	<b>EMC</b> Canopy Mount Local Switch, 6.5W <b>EMR</b> Remote Mount, Remote Switch, 6.5W <i>Includes Thin Canopy</i> <b>ST12</b> 12" Rigid Stem <b>ST24</b> 24" Rigid Stem <b>ST36</b> 36" Rigid Stem

<sup>1</sup>Silver Finish