

FIXTURE SPECIFICATIONS

INTENDED USE

Compatible with most TRIAC, ELV, MLV, 0-10V, our indoor/outdoor driver is highly efficient and stable with smooth dimming capability. These drivers convert 100-277V AC to 12V or 24V for use with our low voltage LED fixtures.

FEATURES:

Construction: Housing and electrical compartment are made from die cast aluminum

Dimming: ELV, MLV, TRIAC & 0-10V

Dimming Curve: 100%-1%

Input Voltage: 100~277V AC

Output Voltage: 12V or 24V

Load Regulation: 1%

Line Regulation: 5%

Input Frequency: 47~63 Hz

Power Factor: >0.92

Efficiency: >79%

Life: 50,000 hrs.

Operating Environment: -40°F ~ 140°F
(-40°C ~ 60°C)

Function Surface Temp: -40 to +80 (25 C AMB)

Storage Temperature: -40 to +80 (25 C AMB)

Humidity: 20~90% RH, non condensing

Listings: cULus listed, IP65, Class 2

Warranty: 5 Years Carefree for Parts & Components
(Labor Not Included)



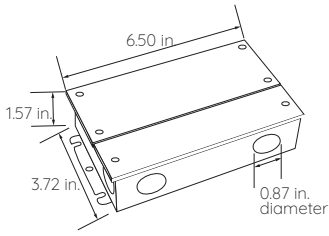
ORDERING INFORMATION EXAMPLE: (4N1-300-24V)

Model	Max Wattage Output Class 2		Voltage	
4N1	30	30W YES	12 ¹	12V
	60	60W YES	24	24V
	96	96W YES		
	150	150W NO		
	200	200W NO		
	300	300W NO		

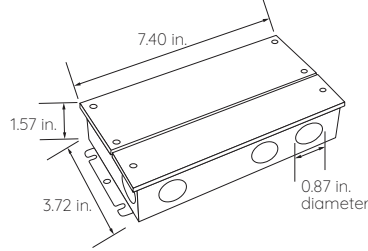
¹ Only available for 30, 60, 150 & 300 Watt options

DIMENSIONS

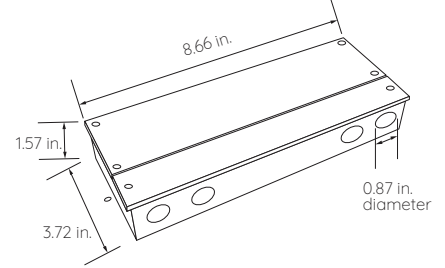
4N1-30W



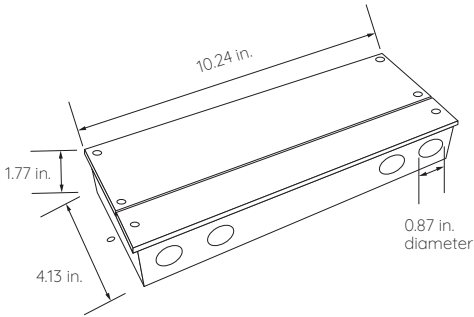
4N1-60W



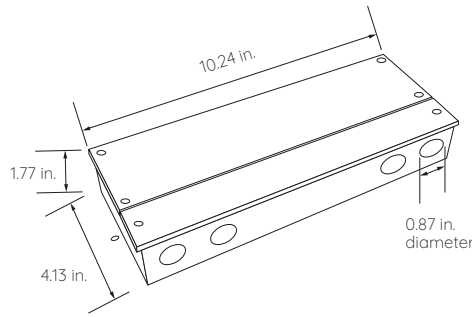
4N1-96W



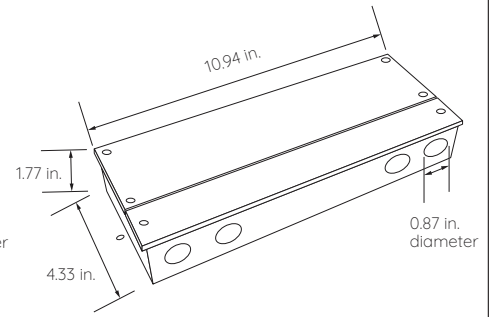
4N1-150W



4N1-200W

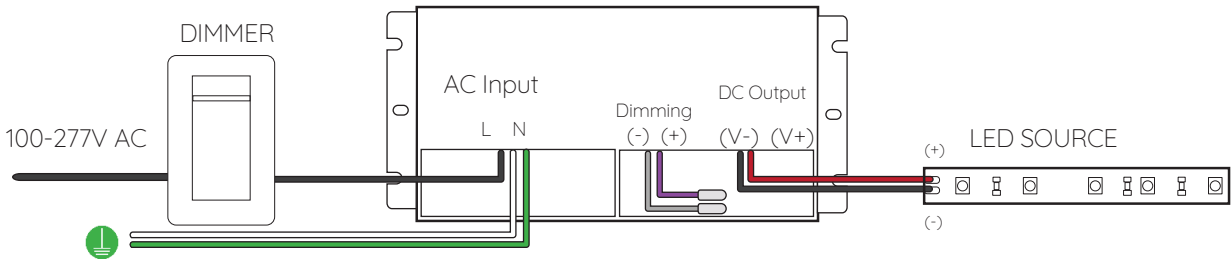


4N1-300W



WIRING DIAGRAM

TRIAC dimming



0-10V dimming

