

Project Name: \_\_\_\_\_ Type: \_\_\_\_\_ Quantity: \_\_\_\_\_

### INTENDED USE

Our Alcon 31027 is a specification grade sign light featuring a die-cast aluminum body suitable for outdoor wet applications. This fixture is ideal for outdoor wall wash, parking structures, commercial or retail outdoor areas, and for sign and walkway lighting.

### FEATURES

**Construction:** Die-cast aluminum with removable half shroud (included).

**Mounting:** Removable 1/2" NPT threaded knuckles (included), surface mounting bracket for ceiling and wall applications (optional).

**Voltage:** 120~277V; 50/60Hz AC

THD: <20%

CRI: 70+

LED Life: 50,000 hrs

Operating Temp: -40°F to 104°F

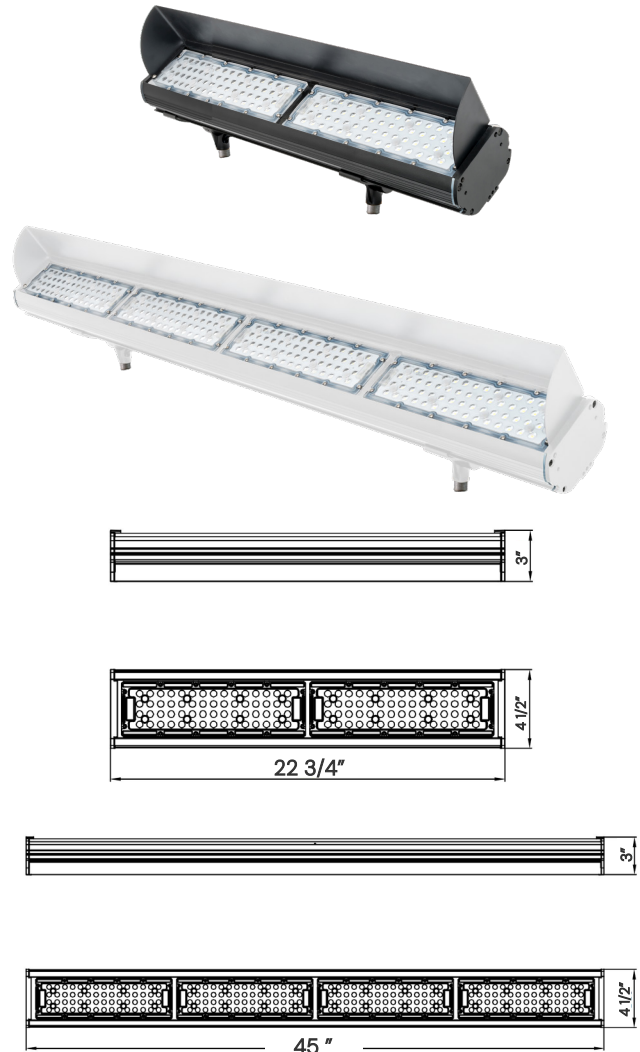
Beam Angle: 90°

Cord Type: 3.2 SJTW 18/3 AWG cable

**Warranty:** 5 Years Carefree for Parts & Components (Labor Not Included)

**Listings:** DLC Rated, IP65, Wet Location Rated

Length	Watts	30K Lumen	50K Lumen
2FT	50W	6500LM	6700LM
4FT	120W	15300LM	15600LM

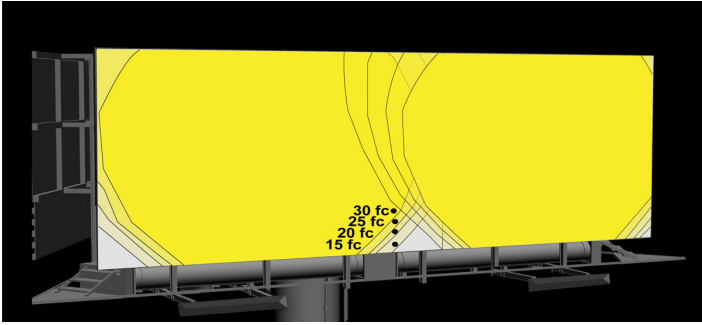


### ORDERING INFORMATION Example: (31027-2-30-BK-NPT)

Model	Length	Color Temp	Finish	Mounting Options
31027	2 2 Foot	30 3000K	BK Black	(Blank) Removable 1/2" NPT Knuckles CWB Ceiling & Wall Bracket PVC 18" PVC Post
	4 4 Foot	50 5000K	WH White	

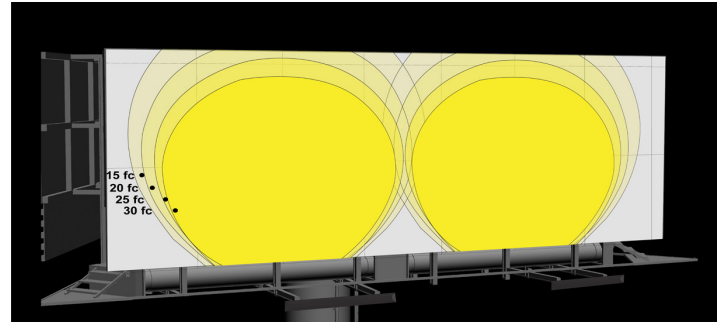
1 Only Available for 4 Foot

Alcon Lighting 31027 Outdoor LED Commercial Sign Light



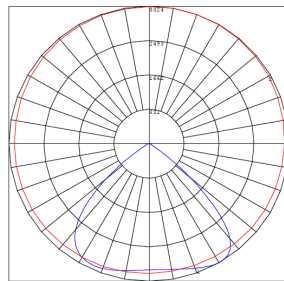
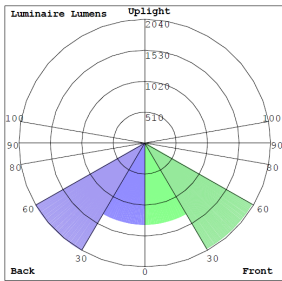
**15211-2 (2 Foot)**

Billboard Size: 5'x 17.5' Mounting Distance: 6'

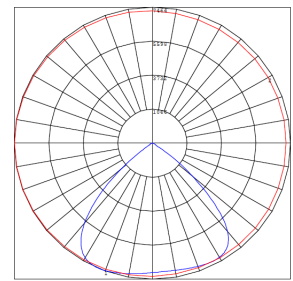
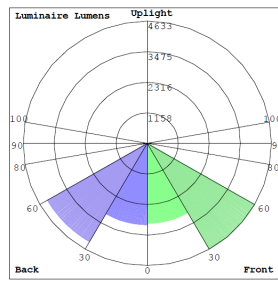


**15211-4 (4 Foot)**

Billboard Size: 10.5'x 36' Mounting Distance: 6'



BUG Rating: B3-U0-G0



BUG Rating: B4-U0-G1

### 2 Foot



Side View



Front View



Back View

### 4 Foot



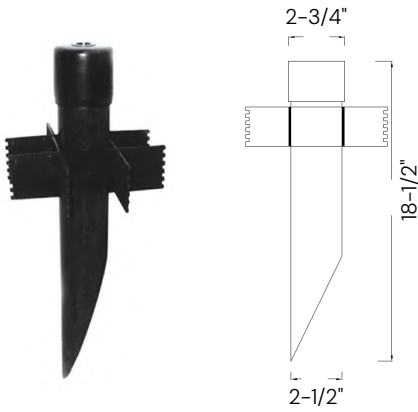
Side View



Front View



Back View



PVC Post



Ceiling & Wall Bracket

## COLOR TEMPERATURE GUIDE

