

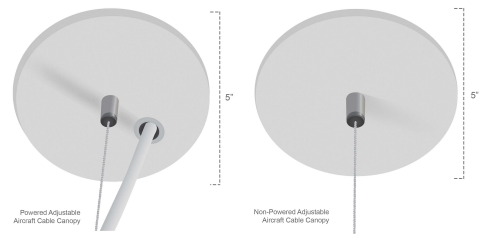
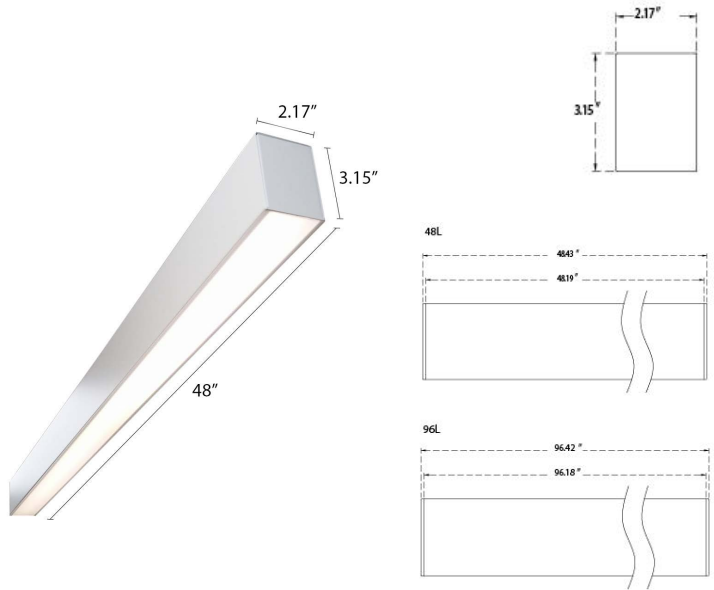
FIXTURE SPECIFICATIONS

INTENDED USE

The specification grade **Lineo Architectural LED Suspended Linear Luminaire** delivers continuous clean lines and clear light to commercial, hospitality and residential interior lighting applications. Our modern, slim profiles and stylish designs offer excellent illumination, exceptional performance and versatility in offices, classrooms, conference rooms, museums, retail outlets, hotels, restaurants, and more. The integrated LED Lineo is available in standard lengths of 4' (48") and 8' (96").

FEATURES

- Dimensions:** W 2.17" x H 3.15"
- Construction:** Lightweight Anodized Aluminum Channel
- Mounting:** 5 FT Field Adjustable Aircraft 5 Wire Power Cable System for a Variety of Heights Including Sloped Ceilings
- Lens:** Glare Free Snap In Frosted Acrylic for Even Distribution
- Continuous Row:** Up to 16 FT with (1) Power Feed
- Distribution:** 60% Down, 40% Up
- Voltage:** 120-277V (50/60 Hz) Constant Current
- Wattage:** 27W (UP) / 18W (DOWN) *per 4 FT Sections*
- Lumens:** 4500 Lumens *per 4 FT Sections*
- Dimming:** 0-10V Dimming (Requires 5 Wire Control)
- CRI:** 80+
- Life:** 50,000 Hours L70
- Warranty:** 5 Years Carefree for Parts & Components (Labor Not Included)
- Listings:** cETL, CA Title 24 Compliant, LED Chips Tested to LM-80 Standards



ORDERING INFORMATION Example:(22180-4-30K-WH-CRWK)

Model	Length Wattage Lumens	Color Temperature	Finish	Options
22180	4 - 4 FT 27W (DOWN) / 18W (UP) 4500 LMS	30K - 3000K	WH - White	CRWK - Continuous Row Wiring Kit
	8 - 8 FT 54W (DOWN) / 36W (UP) 9000 LMS	40K - 4000K	SL - Silver	