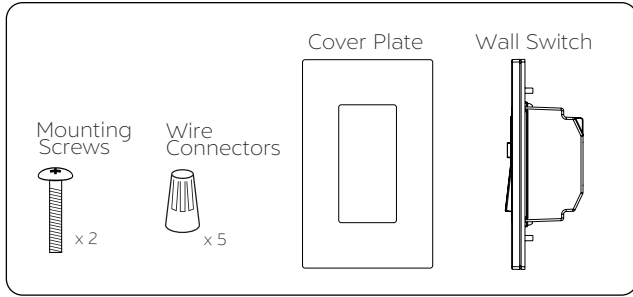


### ITEM IDENTIFICATION



### QUICK SPECS

Input	120VAC ~ 60Hz
Max Load	700W
Load Type	Tunable White LED's

### TOOLS NEEDED



### IMPORTANT NOTES

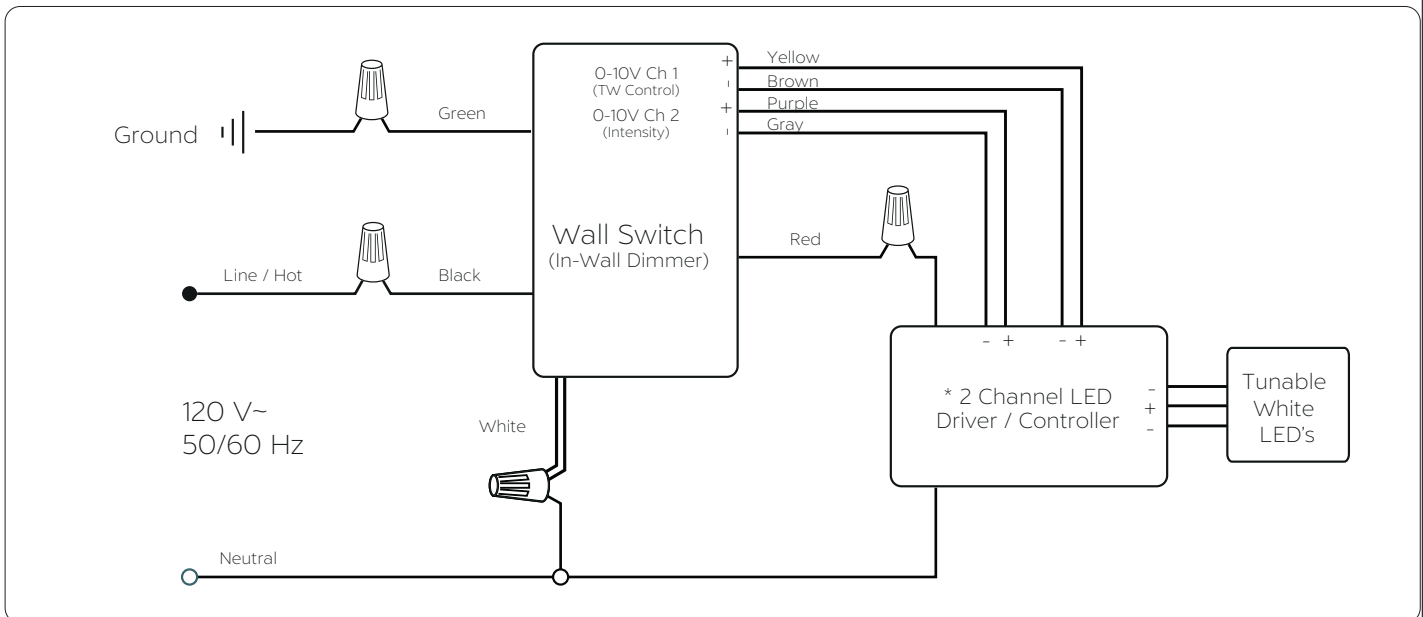
Neutral Wire required. If you don't have Neutral wire in the wallbox, please consult an electrician.

The system is to be installed in accordance with the National Electrical Code or local code.

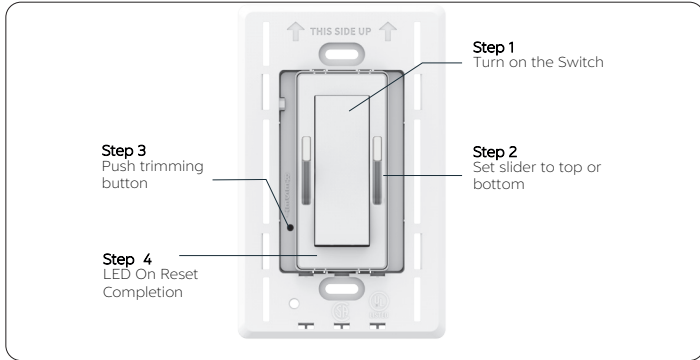
The system is to be installed and serviced by a qualified, licensed electrician.

Wall switch must be grounded in accordance with the NEC or local codes.

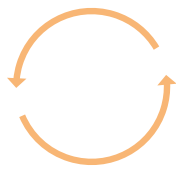
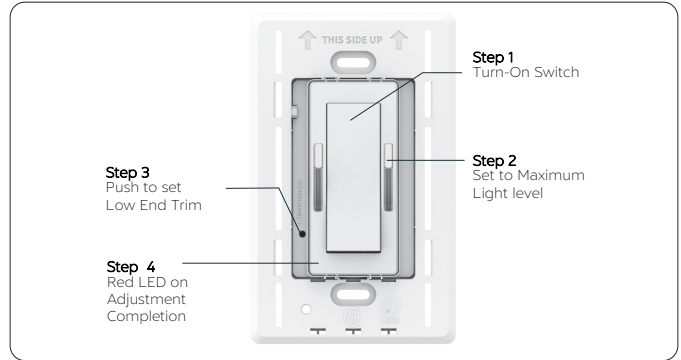
### SYSTEM WIRING OVERVIEW



### LOW END TRIM ADJUSTMENT



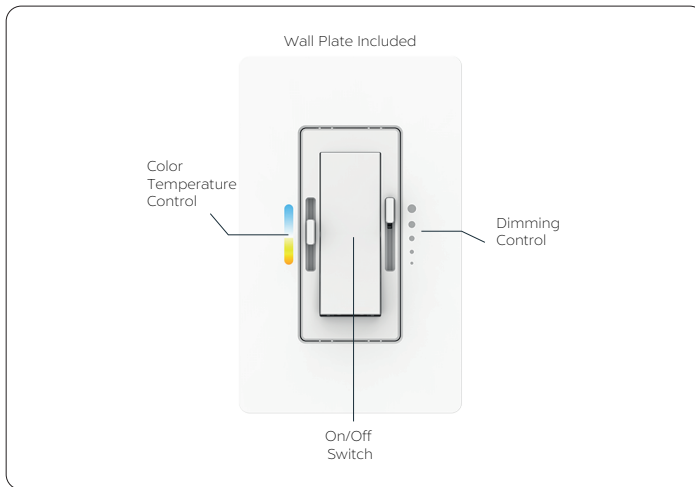
### HIGH END TRIM ADJUSTMENT



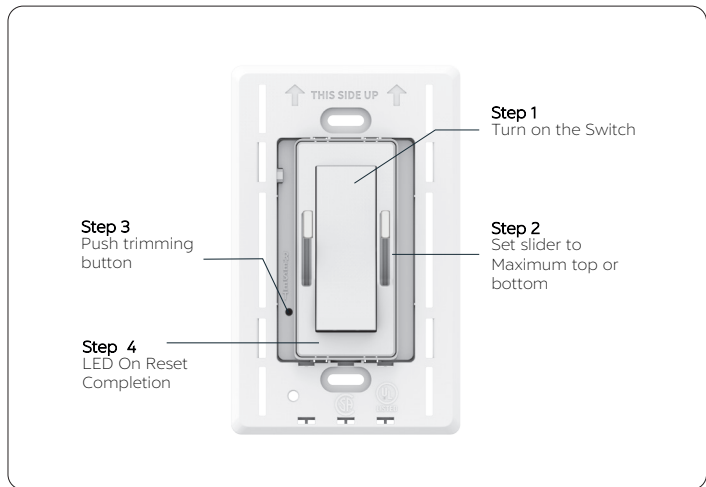
To switch between Dimming and Color Mixing:

- 1) Turn Off the switch
- 2) Push the Reset button.
- 3) Turn the switch back On and follow the trimming steps.

### USER INTERFACE



### RESET TIMING TO DEFAULT



### Caution

To reduce the risk of overheating and possible damage to other equipment, do not install to control a receptacle, A motor-operated appliance, or a transformer-supplied appliance.

### FCC/IC Information

This device complies with Part 15 of the FCC Rules. Operation is subject to the following two conditions:

1. This device may not cause harmful interference.
2. This device must accept any interference received, including interference that may cause undesired operation.