

Project Name: _____ Type: _____ Quantity: _____

INTENDED USE

Featuring a classic design to match existing style switches, our dual channel 0-10V in one switch for tunable white and dimming control eliminates the need of two separated dimmers. On field adjustable low-end dimming trim and on field adjustable color mixing curves make this switch the ideal solution for tunable white dimming.

FEATURES

- Voltage Input:** 120VAC ~ 60Hz
- Max Load:** 600W
- Load Type:** Tunable White LED's
- Control Protocol:** 0-10V
- Control Channels:** 2
- Listings:** UL Listed: UL1472 / CSA C22.2 184.1, FCC Class B Part 15

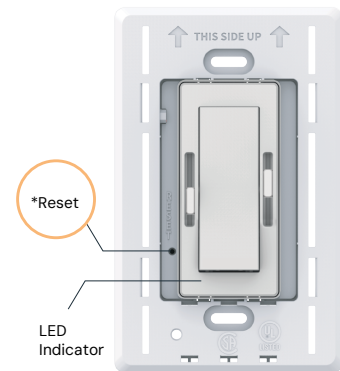
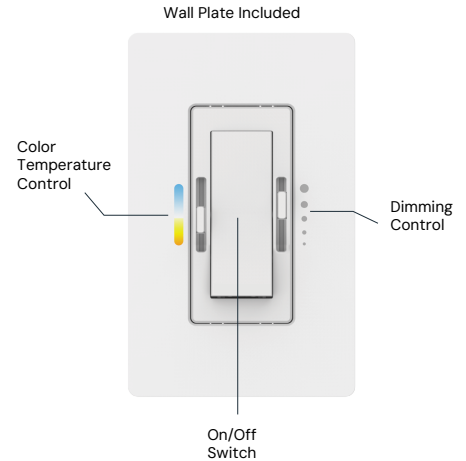
- Built-In Relay
- PWM Dimming Control Interface
- Adjustable Low End Trim
- Adjustable Color Mixing Curves:



ORDERING INFORMATION Example: (2103)

Model

2103



*Push reset button for 2 seconds and wait for red LED indicator to blink

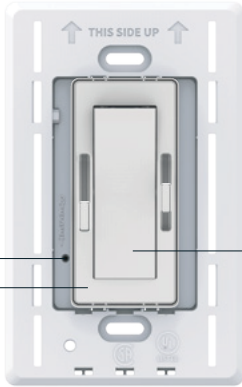
Alcon 2103 Dual Channel 0-10V Tunable White and Dimming Control

Adjustable Color Mixing Curves

Step 2
Push to rotate color mixing curve

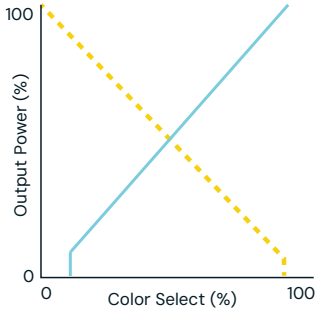
Step 1
Turn Off the Switch

Step 3
Red LED on Adjustment Completion

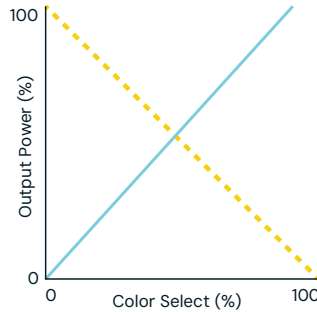


--- Warm White
— Cool White

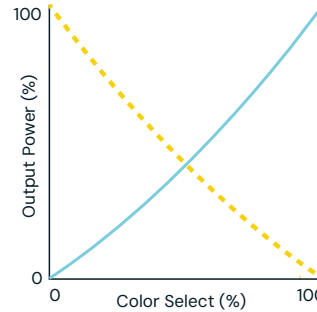
Default Curve



Option 2 Curve



Option 3 Curve



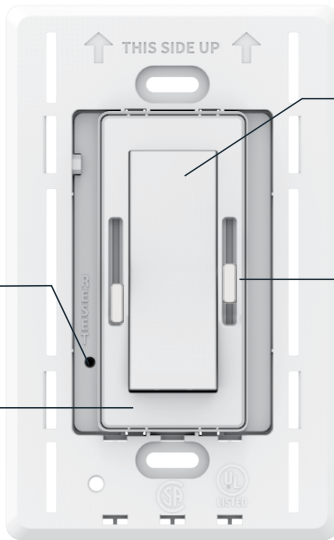
Low End Trim Adjustment

Step 1
Turn on the Switch

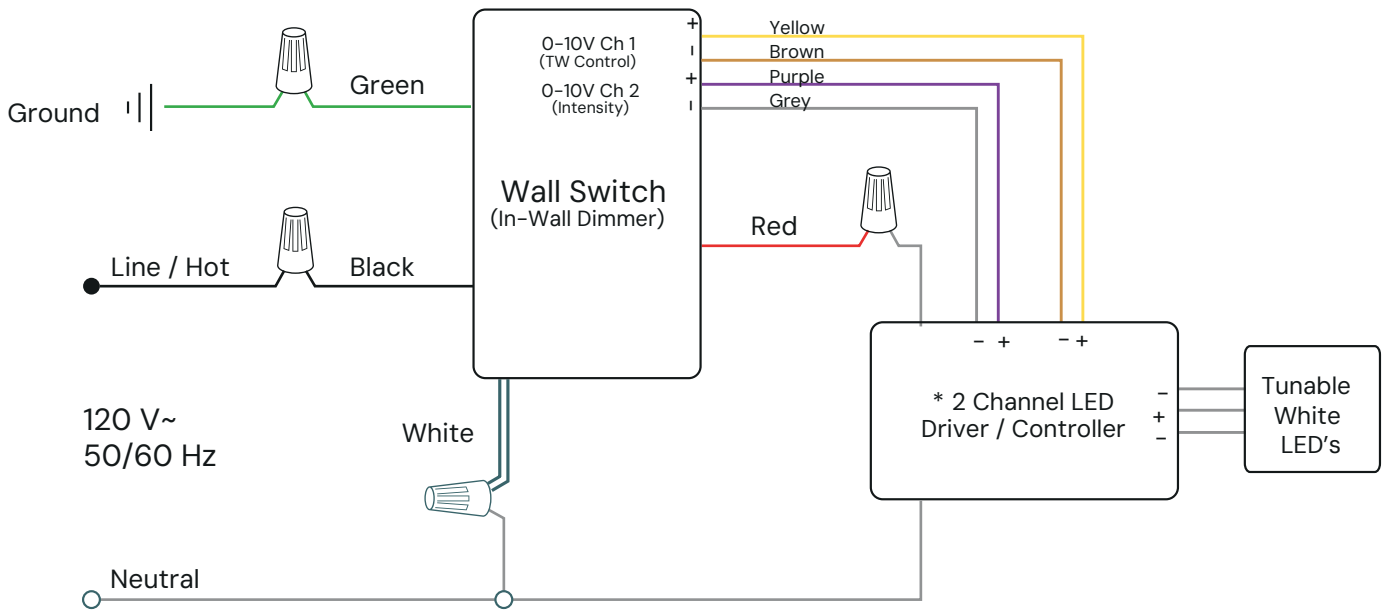
Step 2
Set to Minimum Visible Light Level

Step 3
Push to set Low End Trim

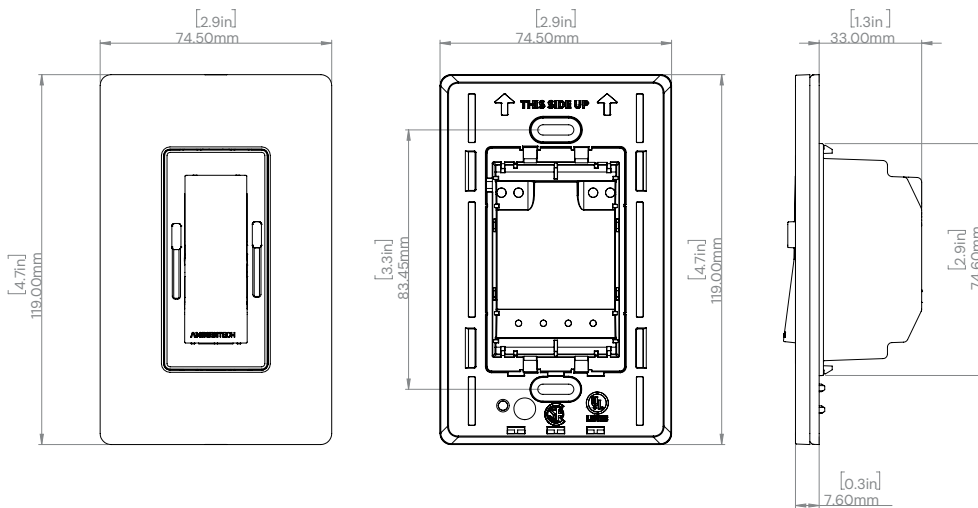
Step 4
Red LED on Adjustment Completion



Wiring Overview



Mechanical Specifications



Note: Requires a U.S. wallbox 2" in (64 mm) deep minimum.

Material: PC/ABS - 5VA Rating

Finish: White Glossy (Default)