

Project Name:

Type:

Quantity:

Alcon 17005 Submersible Underwater Junction Box

**FIXTURE SPECIFICATIONS**

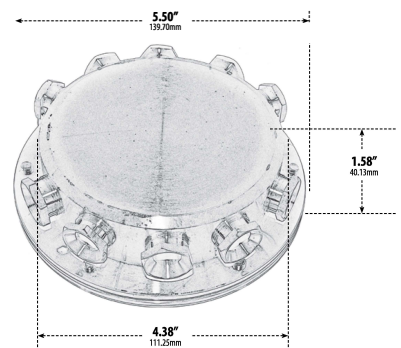
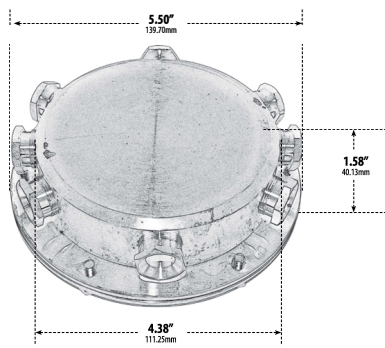
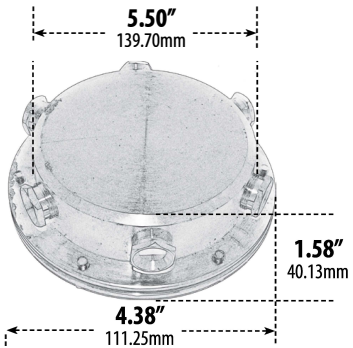
**INTENDED USE**

Our specification and marine-grade submersible junction box is ideal for underwater lighting applications in which wet location-rated, smart LED lighting is needed.

**FEATURES**

**Finish:** Brass

**Dimensions:** 1.58"H x 5.50"W x 5.50"D



**ORDERING INFORMATION** Example: (17005-6)

Model	Number of Connections	
17005	6	6-Way (1 for Power, 5 for Lights)
	8	8-Way (1 for Power, 7 for Lights)
	10	10-Way (1 for Power, 9 for Lights)