

Project Name:

Type:

Quantity:

FIXTURE SPECIFICATIONS

INTENDED USE

The Alcon Lighting 16126 Chicago Approved Edgelit Aluminum LED Exit Sign utilizes ultra-bright white LEDs for improved visibility. This product is compact and energy efficient. Mounting hardware provided. UL listed for damp locations.

FEATURES

Construction: Premium-grade, extruded aluminum housing.

Mounting: Compatible with drywall or drop-thru ceiling mount installations. Wall mount capability available.

Lens: UV stabilized, silk screened acrylic panels provide consistent, uniform illumination.

Voltage: 120/277 voltage

Optional Emergency Backup: 4.8V long life, maintenance-free, rechargeable NiCd back up battery.

Warranty: 5 Years Carefree for Parts & Components (Labor Not Included)

Listing: Meets city of Chicago requirements.

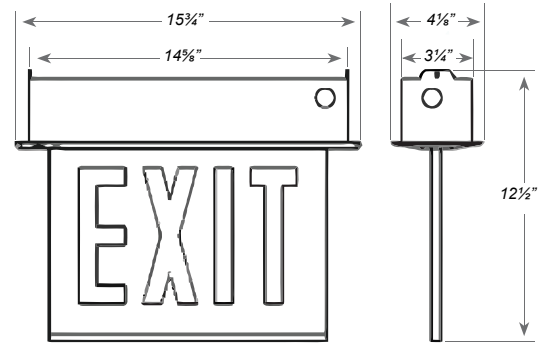
Meets UL924, NFPA101 Life Safety Code, NEC, OSHA, Local and State Codes.

UL listed for damp locations (0° – 50°C).

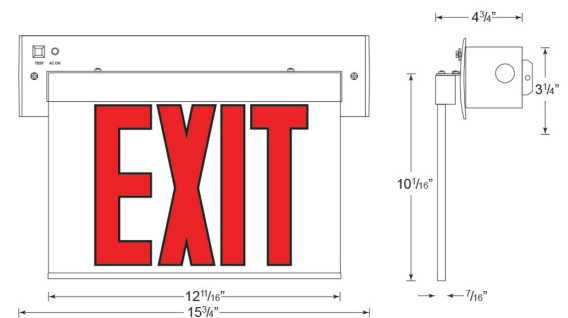
Certified to CEC under Title 20 Regulations.



Recessed Ceiling



Recessed Wall



Alcon 16126 Chicago Approved Edgelit Aluminum LED Exit Sign

**Directional Arrows
Single Face Options**

(Blank) No Arrow	
R Right	
L Left	
D Double Arrow	

**Directional Arrows
Double Face Options**

(Blank) No Arrow		
LR Left/Right Arrow		
D Double Arrow		



ORDERING INFORMATION Example: (16126-R-1-AL-E)

Model	Mount Type	# of Faces	Housing Finish	Wording	Directional Arrows	Options
16126	R Recessed Ceiling	1 Single	AL Aluminum	E EXIT	(Blank) No Arrow	EM Battery Backup
	W Recessed Wall	2 Double	WH White	S STAIR	R ¹ Right L ¹ Left LR ² Left / Right Arrow D Double Arrow	

¹ Single Face Only

² Double Face Only. Arrow is mirrored on each side.