

FIXTURE SPECIFICATIONS

INTENDED USE

The Alcon Lighting 16124 NEMA4X and NSF Rated LED Exit Sign utilizes ultra-bright red or green LEDs for improved visibility. This product is compact and energy efficient. Mounting hardware provided. UL listed for damp locations.

FEATURES

Construction: Corrosion-resistant polycarbonate enclosure with one piece, high-impact resistant, UV stabilized polycarbonate lens and molded gasket with stainless steel screws.

Mounting: Universal knockout pattern on back provided with gasket for watertight seal for back mount. Polycarbonate mounting canopy included for top or end mount.

Voltage: 120/277 voltage

Optional Self- Diagnostics: Self-diagnostic feature performs monthly, biannual, and annual tests to ensure reliable operation and meets electrical and life safety codes.

Optional Emergency Backup: 4.8V long life, maintenance-free, rechargeable NiCd back up battery.

Warranty: 5 Years Carefree for Parts & Components (Labor Not Included)

Listing: Meets UL924, NFPA101 Life Safety Code, NEC, OSHA, Local and State Codes.

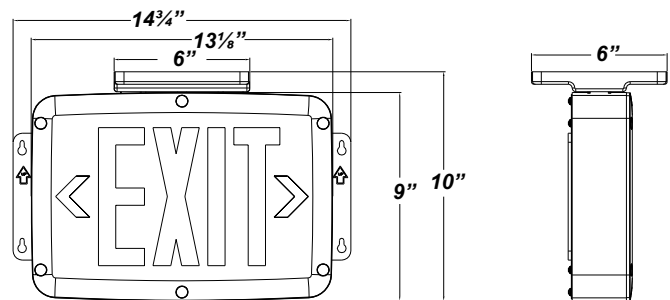
IP66 rated for Ingress protection.

NEMA4X and NSF rated.

Certified to CEC under Title 20 Regulations.

UL certified for use in food service operations.

UL listed for wet locations (-20°C – 50°C).



ORDERING INFORMATION Example: (16124-1-RD-WH)

Model	# of Faces	Letter Color	Housing Finish	Options
16124	1 Single	RD Red	WH White	EM Battery Backup
	2 Double	GR Green	BK Black	TP Tamper Proof
				ST Self-Diagnostic