

Project Name:

Type:

Quantity:

## FIXTURE SPECIFICATIONS

### INTENDED USE

The Alcon Lighting 16122 New York City Compliant Steel LED Exit Sign utilizes ultra-bright red LEDs for improved visibility. This product is compact and energy efficient. Mounting hardware provided. UL listed for damp locations & features New York City compliant 8" EXIT letters.

### FEATURES

**Construction:** Durable, powder-coated 20-gauge steel construction in white or black finish.

**Mounting:** Aluminum mounting canopy included for top or end mount. Universal knockout pattern on back plate for wall mount.

**Universal Single/Double Face:** Ships single face. Includes material to convert to double face.

**Voltage:** 120/277 voltage

**Optional Self-Diagnostics:** Self-diagnostic feature performs monthly, biannual, and annual tests to ensure reliable operation and meets electrical and life safety codes.

**Optional Emergency Backup:** 4.8V long life, maintenance-free, rechargeable NiCd back up battery.

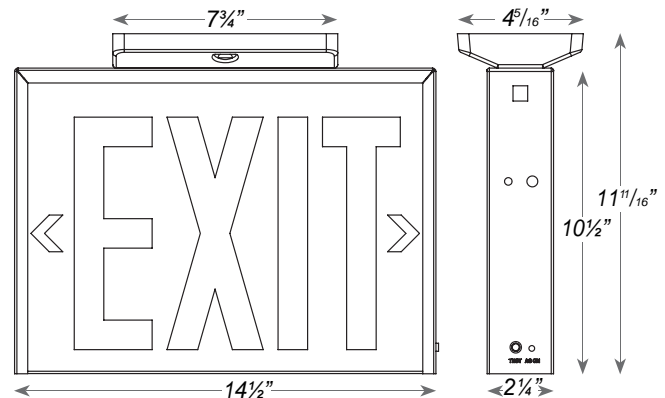
**Warranty:** 5 Years Carefree for Parts & Components (Labor Not Included)

**Listing:** New York City compliant.

Meets UL924, NFPA 101 Life Safety Code, NEC, OSHA, Local and State Codes.

UL Listed for damp locations (0°C – 50°C).

Certified to CEC under Title 20 Regulations.



## ORDERING INFORMATION Example: (16122-1-RD-CR-WH)

Model	Housing Finish	Options
16122	WH White	EM Battery Backup
	BK Black	
	AL Aluminum	