

FIXTURE SPECIFICATIONS
INTENDED USE

The Alcon Lighting 16120 Edge Lit LED Exit Sign utilizes ultra-bright red or green LEDs for improved visibility. This product is compact and energy efficient. Mounting hardware provided. UL listed for damp locations & meets UL924, NEC, NFPA 101 Life Safety Code, OSHA.

FEATURES

Construction: Premium-grade, extruded aluminum housing. Extruded aluminum trim assembly is easily detachable from below, providing accessibility for service or maintenance.

Lens: UV-stabilized ultra-clear acrylic edgelit panel provides consistent, uniform illumination.

Mounting: Snap mounting canopy included for top, end or back mount.

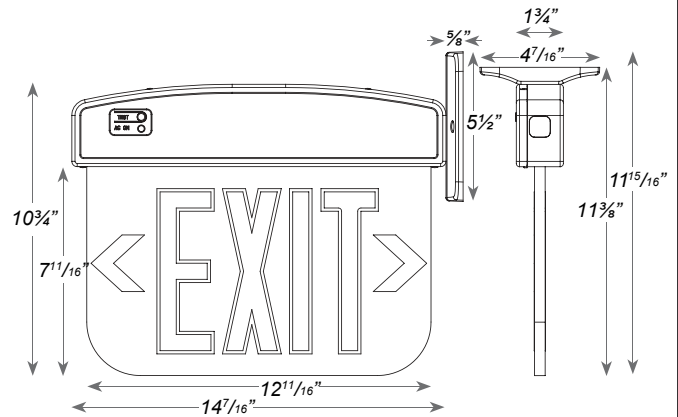
Voltage: 120/277 voltage

Optional Self-Diagnostics: Self-diagnostic feature performs monthly, biannual, and annual tests to ensure reliable operation and meets electrical and life safety codes.

Optional Emergency Backup: 4.8V long life, maintenance-free, rechargeable NiCd back up battery.

Warranty: 5 Years Carefree for Parts & Components (Labor Not Included)

Listing: Meets UL924, NFPA 101 Life Safety Code, NEC, OSHA, Local and State Codes. UL Listed for damp locations (0°C – 50°C). Certified to CEC under Title 20 Regulations.


ORDERING INFORMATION Example: (16120-1-RD-CR-WH)

Model	# of Faces	Letter Color	Face Finish	Trim Finish	Options
16120	1 Single	RD Red	CR¹ Clear	WH White	EM Battery Backup
	2 Double	GR Green	AL Aluminum	BK Black	SD Self-Diagnostics
				WH White	AL Aluminum

¹ Only available with single face option.
² Subject to approval. Increased lead time.