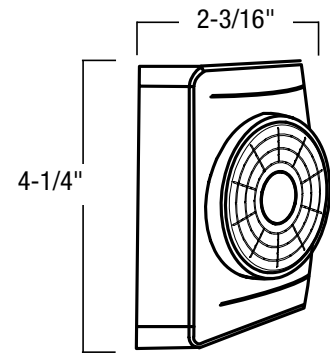
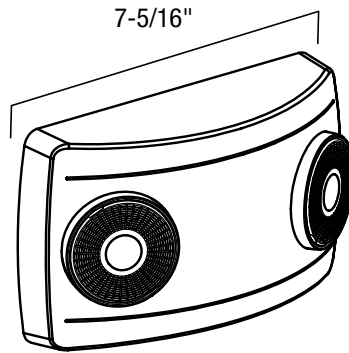


SHOP NOW >



### FIXTURE SPECIFICATIONS

#### INTENDED USE

The **Vista LED Compact Dual Head Emergency Light** features two fully adjustable heads for emergency lighting with a lightweight, flame retardant design. The Vista is ideal for spaces that require emergency lighting applications.



THIS PRODUCT IS ONLY TO BE INSTALLED BY A QUALIFIED TECHNICIAN IN ACCORDANCE WITH NATIONAL AND LOCAL ELECTRICAL CODES.

#### FEATURES

- Construction:** Injection-molded Thermoplastic ABS Housing
- 5VA Flame Retardant Plastic Enclosure
- Two Fully Adjustable Glare-Free Round Heads
- Mounting:** Suitable for Wall or Ceiling
- Top and Side Knockout for Conduit Application
- Operation:** Minimum of 90 Minutes During Loss of Power with 24 Hour Maximum Recharge Time
- Battery:** NiCad 3.6V 3W Maintenance Free
- Voltage:** 120-277 VAC 60 Hz
- Color Temperature:** 6000K
- Starting Temperature:** 50°F (10°C) - 104°F (40°C)
- Life:** 35,000 Hours
- Warranty:** 3 Years
- Listings:** cULus Listed and Meets All Requirements in NFPA 70, NFPA 101 Life Safety Code
- Suitable for Damp Locations



### ORDERING INFORMATION Example: (16110-2W-B)

Model	Size & Wattage	Finish	Options
<b>16110</b>	<b>2W</b> 2 watts   150 lms <b>4W</b> 4 watts   250 lms	<b>B</b> Black <b>W</b> White	<b>RM</b> Remote Battery & Self Diagnostics / Self-Testing