

Project Name: \_\_\_\_\_ Type: \_\_\_\_\_ Quantity: \_\_\_\_\_

;Pn(P\$(\$ rh(

n;® **Polo Architectural LED Dual Head Emergency Unit** ®• üi® ð ð Á;ö ANi× ÁD• óÁØ  
 Á;• °Á®• Ø Á é• ¥öi® óÁØ• Ø;PúÁØ» ®Pi  
 ° úi• ð Á® n;® aPñ Á• Ø Á ®• NpéÁØ® Pi  
 PúØ® Ppi • ééM• óÁØ® ;® ®®× ® »® ØY  
 M;¿ÁØ» Á Ø®®® ®®



16101-W

4( nr d(h

**Construction:** Injection-Molded, Engineering Grade, 5VA Flame Retardant, High-Impact Resistant Thermoplastic

**Electrical:** Fully Automatic Solid-State, Two Rate Charger

6V Maintenance-Free, Rechargeable Sealed Lead Acid Battery

**Lamp:** W High Performance MR-16 Lamp

**Mounting:** Surface via Easy Connect Back Plate

Suitable for Wall Mount

**Voltage:** 120/277

**Wattage:** W

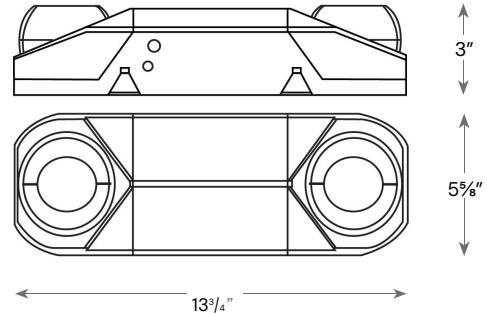
**Operating Temperature:** 68°F (20°C) - 104°F (40°C)

**Warranty:** 5 years carefree for parts & components (Labor not included). Battery Pro-Rated for 2 Years

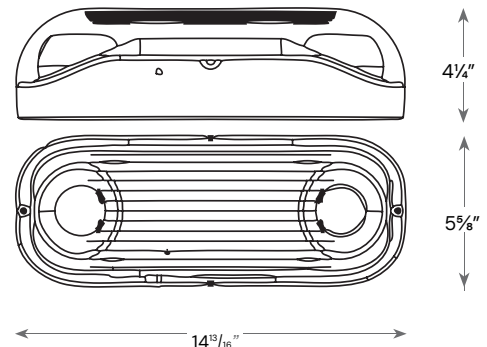
**Listings:** Meets UL924, NFPA 101 Life Safety Code, NEC, OSHA, Local, and State Codes UL Listed for Damp Location



16101-G-WL



Non-Wet location Rated



Wet location Rated



Vd\$(d;P5 ;P4VdO n;VP ( • × éñ® ~ |

Op® ®ñ	400;¿	VéóÁØ
WH <sup>1</sup>	~ ¿ Á®	WL <sup>3</sup> Wet Location
† G	† Ñ ¥í	USA Assembled in USA
G <sup>2</sup>	Gray	

<sup>1</sup> Not available in Wet Location rated option.  
<sup>2</sup> Only available in Wet Location rated option.  
<sup>3</sup> Gray finish is standard, Black finish available.

ÑPØI Á;¿ÁØ» aPñP i ¥; Á® ¥üi • Ñ ( \$ \$ ú • ÑP® a h® × Á d® ¥® ØØ®® Od ( × ® »® ØY r ØÁ