

# 16001 INSTALLATION INSTRUCTIONS



**WARNING:** All work must be performed by qualified electrician. Luminaire must be installed and grounded in accordance with the National Electrical Code (NEC) and local codes. Failure to do so may result in serious injury and/or damage to the luminaire.

**WARNING:** To avoid risk of fire, explosion, or electric shock, this product should be installed, inspected, and maintained by a qualified electrician only and in accordance with all applicable codes.

**WARNING:** To avoid electric shock:

Be certain electrical power is OFF before and during installation and maintenance.

Luminaire must be connected to a wiring system with an equipment grounding conductor.

**WARNING:**

Make sure the supply voltage is the same as the rated luminaire voltage.

Do not install where marked operating temperatures exceed the ignition temperature of the hazardous atmosphere.

Do not operate in ambient temperatures above those indicated on the luminaire nameplate.

Keep lens tightly closed when in operation.

All unused holes must be sealed with waterproof silicone.

**NOTE:** Protect all wiring connections with approved insulators rated at least 100°C.

Save these instructions for future reference.

**Ambient Operating Temperatures:** -40°C / -40°F to 40°C / 104°F

UL LISTED FOR WET LOCATION

## PRECAUTION:

Observe all precautions usually followed when dealing with high voltage equipment when installing or servicing this light fixture.

## PENDANT MOUNT (3/4" RIGID CONDUIT NIPPLE):

1. To prevent electrical shock, disconnect power from electrical supply before installation or Service.
2. Feed the incoming power wires from the fixture into the pendant (3/4" rigid conduit nipple). Install the pendant into the threaded hole in the fixture casting, and tighten securely. See Fig. 1. Use waterproof silicone to prevent moisture intrusion. Install the other end to a junction box.
3. If the incoming power wires from the fixture are longer than the pendant, make wiring connections in the junction box. If the wires are shorter than the pendant, pull supply wires and make wiring connections inside the pendant. (Line: Black, Neutral: White, Grounding: Green/Yellow.)
4. Turn ON power and check for proper operation.

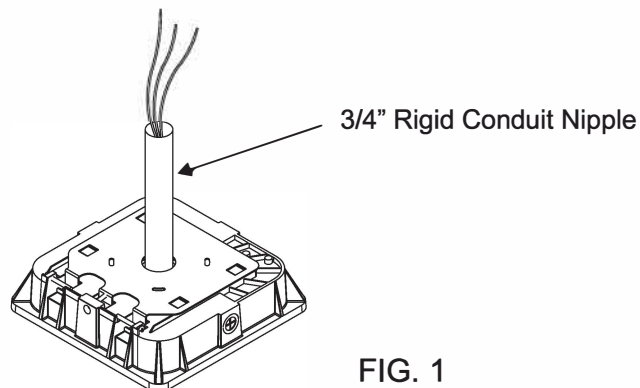


FIG. 1

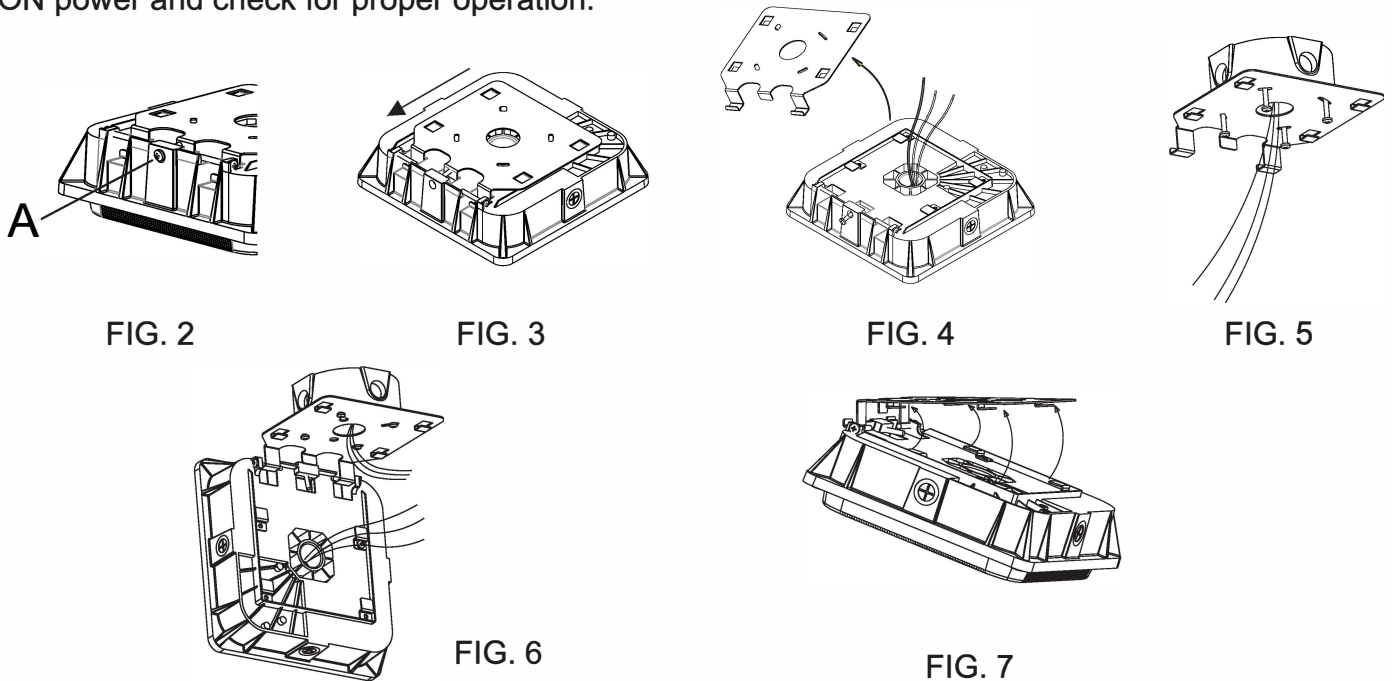
**NOTE:** Illustrations are used for reference purposes only; actual fixture may differ on each luminaire.



# INSTALLATION INSTRUCTIONS

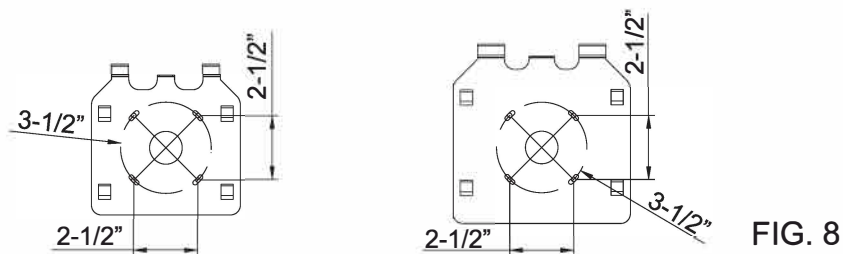
## JUNCTION BOX MOUNT:

1. To prevent electrical shock, disconnect power from electrical supply before installation or Service.
2. Remove the mounting plate by loosening locking screw A and sliding the mounting plate towards to screw A until the plate hinge is out from the slot. (Do not remove screw A). See Fig. 2, 3, & 4.
3. Feed the supply wires from the junction box through the center hole of the mounting plate. Then install the mounting plate to the junction box. Fig.5 (Junction box should be listed for fixture support)
4. Hang the fixture to the mounting plate, and connect the wires: black to black, white to white, and green/yellow to ground. See Fig. 6.
5. Re-install the fixtures by placing the mounting plate hooks into the slots on fixture and sliding to secure the fixture on the mounting plate. See Fig. 7.
6. Tighten the locking screw A.
7. Turn ON power and check for proper operation.



## CEILING MOUNT:

1. To prevent electrical shock, disconnect power from electrical supply before installation or Service.
2. Remove the mounting plate by loosening locking screw A and sliding the mounting plate towards to screw A until the plate hinge is out from the slot. (Do not remove screw A). See Fig. 2, 3, & 4.
3. Drill holes on the mounting surface by using the mounting plate patterns shown in Fig. 8.



**NOTE:** Illustrations are used for reference purposes only; actual fixture may differ on each luminaire.

# INSTALLATION INSTRUCTIONS

4. Install the mounting plate on the mounting surface. See Fig. 9.
5. Remove the lens and reflector, pull the incoming wire to the inside of the fixture. See Fig. 10.
6. Remove one of the 1/2" threaded plug on the side. See Fig. 11. Install threaded conduit or conduit connector on the 1/2" hole, feed wires through and connect the wires: black to black, white to white, and green/yellow to ground.
7. Reinstall the reflector and lens.
8. Turn ON power and check for proper operation.

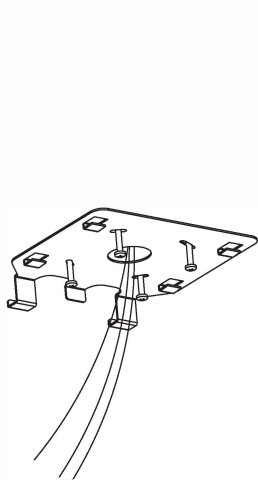


FIG. 9

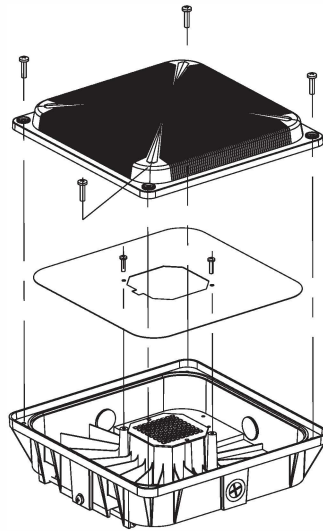


FIG. 10

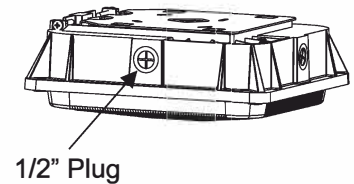
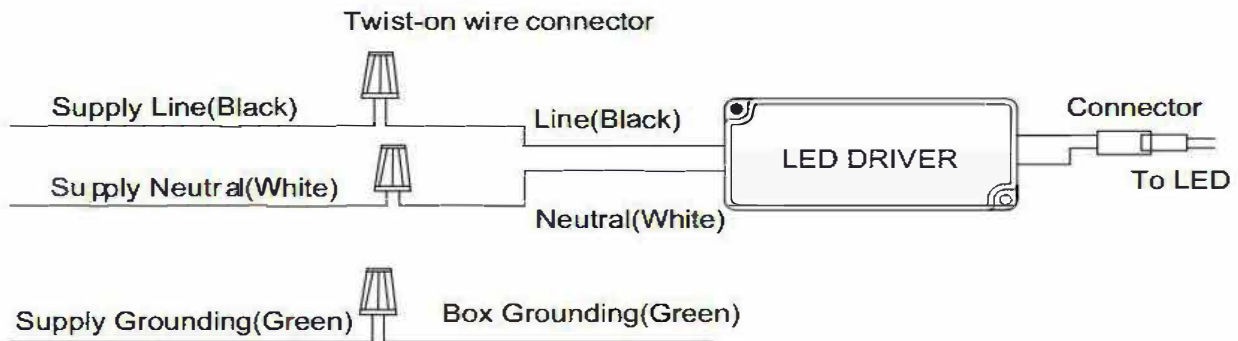


FIG. 11

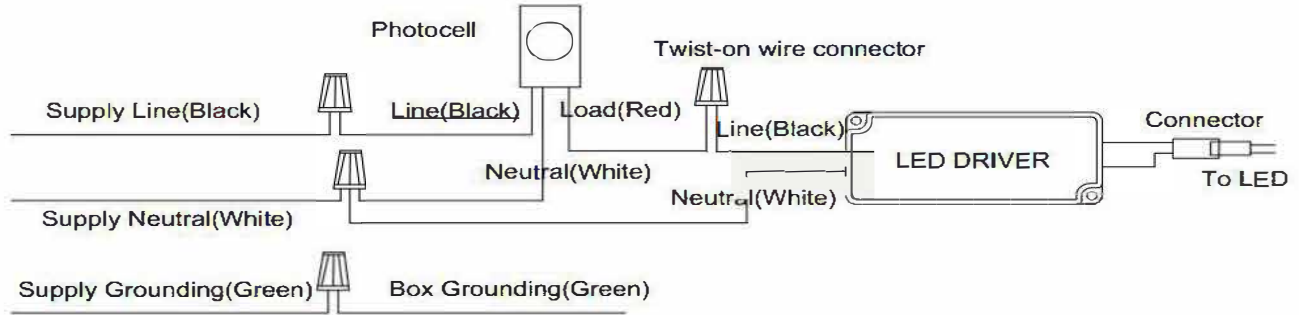
**NOTE:** Illustrations are used for reference purposes only; actual fixture may differ on each luminaire.

## Wiring Diagrams:



**Wiring layout without Photocell**

# INSTALLATION INSTRUCTIONS



**Wiring layout with Photocell**

**After installation, please.**

- Check whether the lighting fixture is firmly fixed.
  - Check whether wires are connected correctly.
  - At last, turn on the power, and check if the lighting fixture works well.
- If not, please turn off the power and contact with your sales representative.

MODEL NO.	INPUT VOLTAGE	WATTS	MAX. INPUT AMP.
16001-40W-CW	120~277V	40W	0.45A
16001-60W-CW	120~277V	60W	1.0A
16001-75W-CW	120~277V	75W	1.0A

Microwave motion sensor (MS) sold separately.