

16000 INSTALLATION INSTRUCTIONS

High Performance LED Canopy Light

IMPORTANT SAFETY INSTRUCTIONS

1. Read carefully before installing fixture. Retain for future reference.

WARNING

To prevent electrical shock, turn off electricity at fuse box before proceeding.

2. Failure to follow instructions may result in serious injury or death.

3. Upon receipt the fixture, thoroughly inspect for any freight damage which should be brought to the attention of the delivery carrier. Compare the catalog description listed on the package slip with the fixture label on the housing to assure you have received material.

4. This fixture must be wired in accordance with the international electrical code and applicable local codes and ordinances. Proper grounding is required to insure personal safety. Carefully observe the correct grounding procedure under installation section.

5. Alcon Lighting luminaires may be damaged if connected to conduit systems containing water - Article 300-5G of National Electric Code requires that "Conduits or raceways through which moisture may contact energized live parts shall be sealed or plugged at either or both ends".

*Alcon Lighting assumes no responsibility for claims arising out of improper or careless handling or installation of this product.

General Wiring Diagram

Electrical Connection

1. Connect BLACK (line) driver lead to voltage supply Line position (HOT).
2. Connect driver WHITE lead to the NEUTRAL supply position.
3. Connect the GREEN ground lead to the supply ground lead.

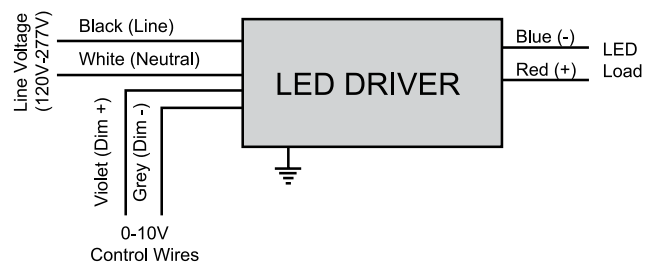
If using 0-10V dimming:

4. Connect VIOLET lead to supply POSITIVE dimming lead.
5. Connect GREY lead to the supply NEGATIVE dimming lead.

If NOT using 0-10V dimming:

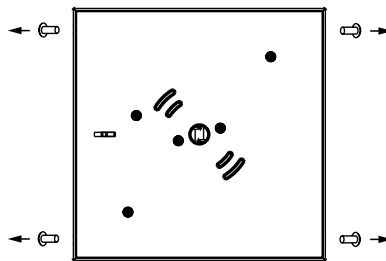
6. Ensure VIOLET and GREY 0-10V dimming leads are properly capped.

Wiring Diagram

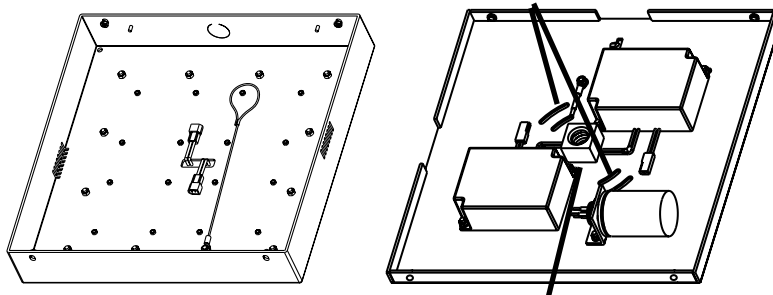


Slipfitter Installation:

1. Unpack fixture from packaging. Fixture consists of the power supply(s) mounted on the back plate inside of the fixture. Surge protector mounted on the mounting bracket (optional).
2. Remove rear cover plate screws.

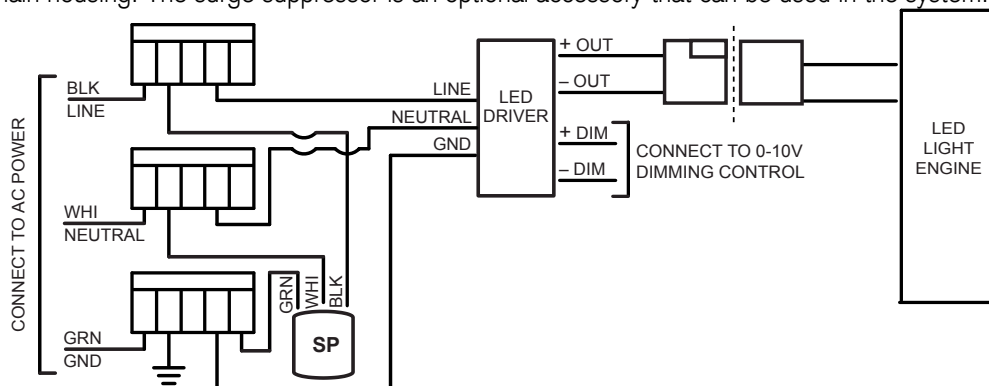


3. Mount back plate to surface using the provided slots. Use temporary hanging cable and hook for ease of installation.



Electrical wire opening and pendant mount hole.

4. Connect the incoming electrical wires to the set of power wires on the LED power supply(s). Next connect the LED driver harness(s) to the LED light engine(s) on main housing. The surge suppressor is an optional accessory that can be used in the system.



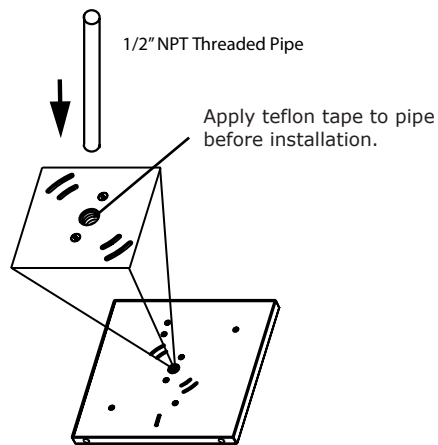
black - line
white - neutral
green - ground

Warning!

Do not allow the fixture to hang from the harness.
This may cause damage to the circuit.

5. Pendant Mount Installation

Feed the electrical wire coming out of the fixture thru the conduit pipe as shown below. Connect wires to the appropriate wires at electrical junction box as shown in electrical diagram. Mount to junction box using the proper mounting plates.



6. Mount the bottom housing to the cover plate using the 4 screws.

