

WARNING:

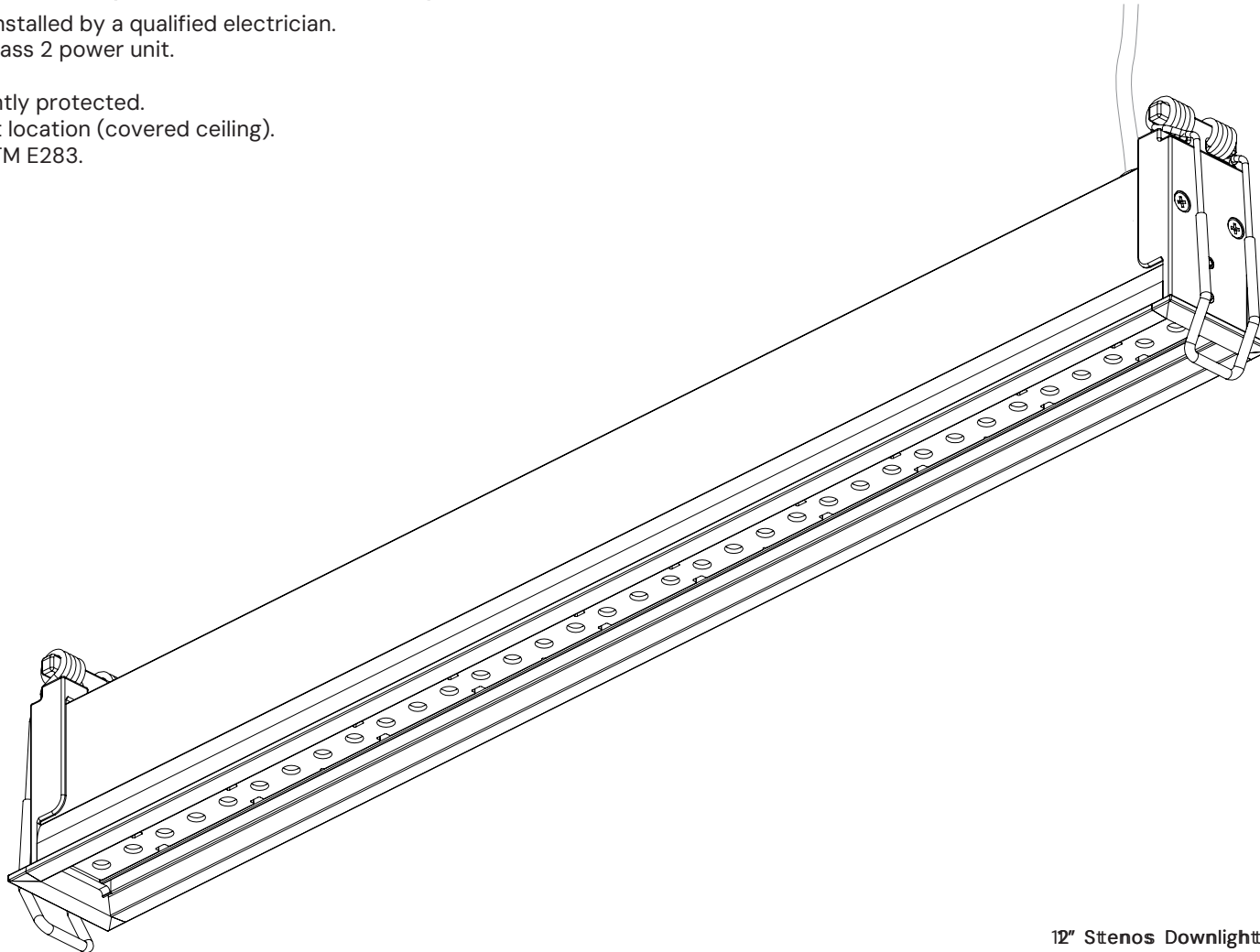


RISK OF FIRE AND ELECTRICAL SHOCK. FIXTURE MUST BE INSTALLED BY A QUALIFIED ELECTRICIAN ONLY IN ACCORDANCE WITH NATIONAL, LOCAL BUILDING AND ELECTRICAL CODES. DISCONNECT POWER AT ELECTRICAL PANEL BEFORE SERVICING.

15301 INSTALLATION INSTRUCTIONS FOR LINEAR RECESSED MICRO OPTIC LED LIGHT

Please read all instructions prior to installation and keep for future reference!

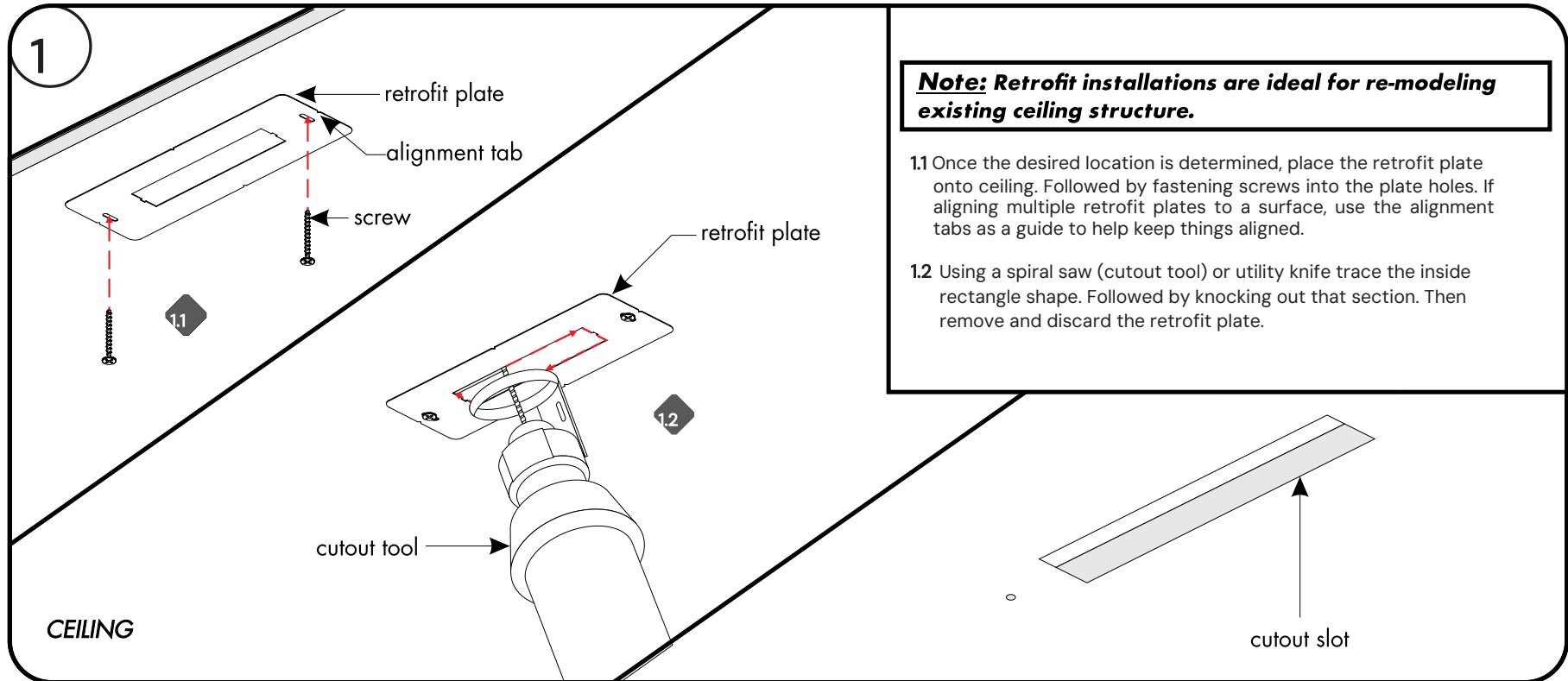
1. Product to be installed by a qualified electrician.
2. Use only with class 2 power unit.
3. 24 VOLTS DC.
4. Type IC, inherently protected.
5. Suitable for wet location (covered ceiling).
6. Airtight per ASTM E283.



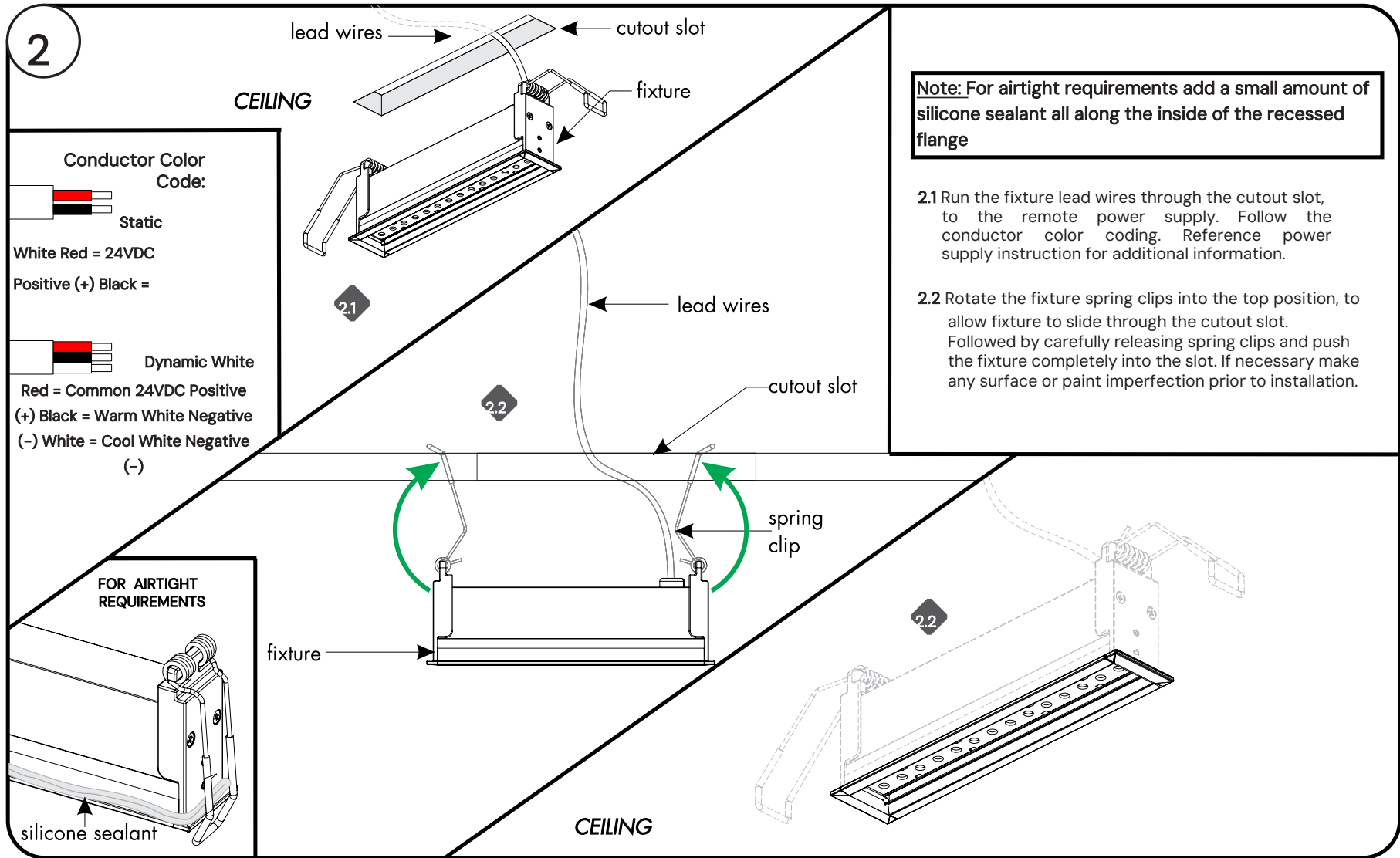
12" Stenos Downlight

15301 INSTALLATION INSTRUCTIONS FOR LINEAR RECESSED MICRO OPTIC LED LIGHT

Mounting Method 1: Retrofit Install



15301 INSTALLATION INSTRUCTIONS FOR LINEAR RECESSED MICRO OPTIC LED LIGHT



15301 INSTALLATION INSTRUCTIONS FOR LINEAR RECESSED MICRO OPTIC LED LIGHT

TOOL(S) NEEDED:

Option 1) Cordless drill and an elbow or L-shape adapter with Philips Insert Bit extension.



Option 2) Flexible Screwdriver with Philips Insert Bit.

