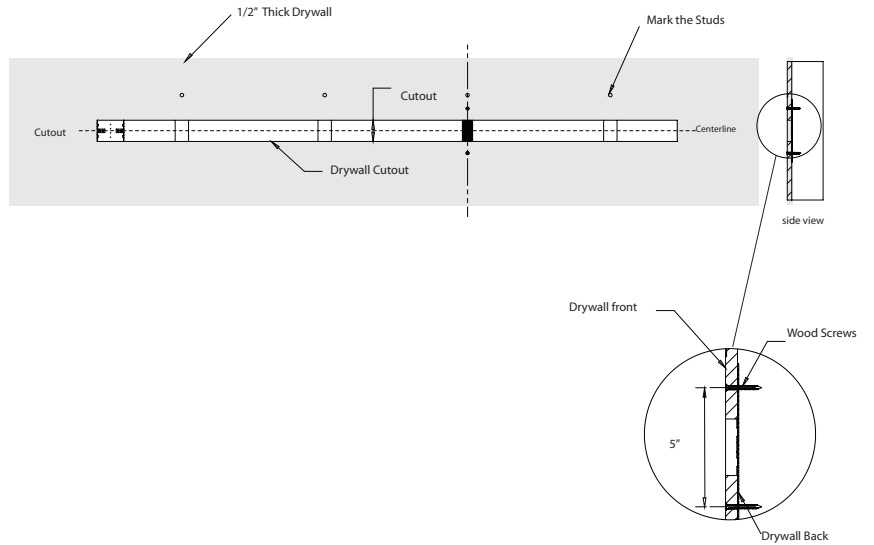




1. This product is intended to be installed by an experienced electrician.
2. Make sure to **TURN OFF MAIN POWER** prior to installation of any electrical device.
3. This product is designed for **INDOOR** use **ONLY**

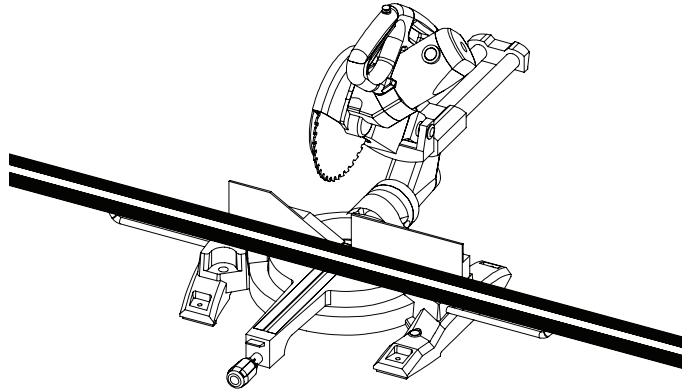
STEP 1.

Measure curout and mark drywall where ALP2000 series channel will be mounted.



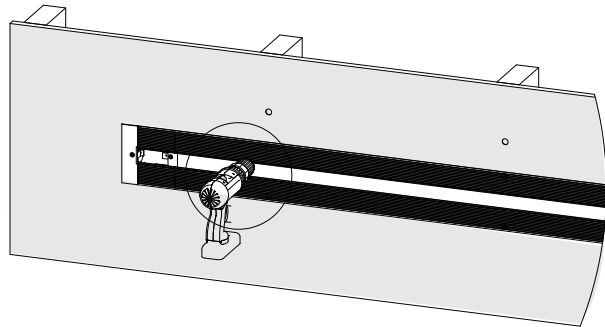
STEP 2.

Cut the channel to the desired length.



STEP 3.

Mount / install ALP2000 series profile onto drywall. Drill and countersink channel with screws. Make sure all screw heads are flush with channel surface.



STEP 4

Mount / install ALP2000 series profile onto drywall. Drill and countersink channel with screws. Make sure all screw heads are flush with channel surface.

