

Project Name:

Type:

Quantity:

FIXTURE SPECIFICATIONS

INTENDED USE

This commercial-grade LED wraparound is built with 22 gauge cold rolled steel. The surface-mounted LED ceiling light is vapor-tight and suitable for damp locations. The 100-277V fixture is ideal for commercial buildings, schools, stairwells, warehouses and garages and comes in standard lengths of 2-feet and 4-feet.

FEATURES

Construction: 22 Gauge cold rolled steel with internal snap-on gear tray/cover, Safety strap attached to snap-on gear corrosion resistant tray

Mounting: Stainless Steel Bracket

Gasket: Polyurethane

Housing: Fiberglass

Lens: High impact acrylic ribbed frosted

Reflectance: 86%

Finish: Baked white polyester

Voltage: 120-277 UNV

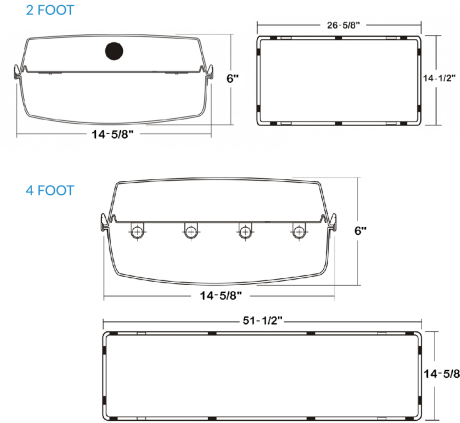
Dimming: 5-Wire 0-10V

CRI: 80+

Life: L70 - 50,000 - 107,000 Hours

Warranty: 5 years carefree for parts & components (labor not included)

Listings: cULus, Suitable for damp locations, IP65 / IP66 / IP67, NSF, NEMA 4x rated enclosure, Supports California Title 24 compliance, Made in the USA, RoHs compliant, DLC Premium (all lumens except 8000 lms)



Alcon 15220 VPT II Gasket Surface Mounted Wraparound LED Ceiling Light

ORDERING INFORMATION Example: (15220-4-8L-35K-WH-ARF-EM)

Model	Length, Lumens & Watts	Color Temp	Finish	Lens	Options
15220	24L 2-FT 4000 lms 35W	35K 3500K 40K 4000K	WH White BK Black	ARF High Impact Standard Acrylic Ribbed Frosted	WL Wet Location ¹
	26L 2-FT 6000 lms 55 watts	50K 5000K	SL Silver	SAF High Impact Smooth Acrylic Frosted	EM Emergency Battery Pack
	28L 2-FT 8000 lms 55 watts			RA High Impact Ribbed Acrylic	MS Motion Sensor
	212L 2-FT 12000 lms 85 watts			SA High Impact Smooth Acrylic	SSL Stainless Steel Latches
	48L 4-FT 8000 lms 67 watts				SST Stainless Steel Tamper Proof Screws
	416L 4-FT 16000 lms 103 watts				
	424L 4-FT 24000 lms 152 watts				
	432L 4-FT 32000 lms 203 watts				

¹ (2) Mounting Brackets / (1) Watertight Hub Provided