

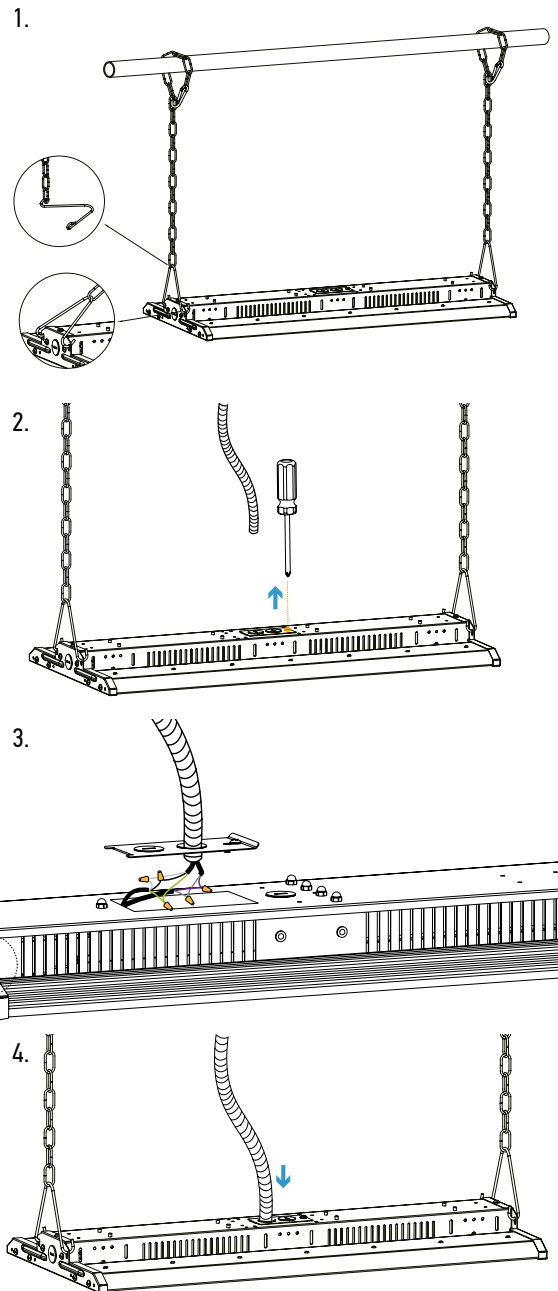
## INSTALLATION INSTRUCTIONS

### IMPORTANT SAFETY INFORMATION:

- Make sure that the supply voltage corresponds to the rated product voltage.
- The product must be installed by a qualified electrician in accordance with the National Electrical Code and corresponding local codes.

### CHAIN MOUNT

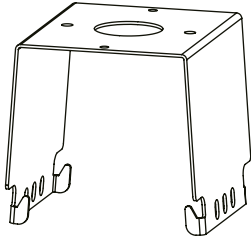
1. Insert V-hooks into both ends of the fixture. Secure chain to ceiling, beam or other mounting surface. Use screwdriver to open the plate.
2. Open the top knockout with a screwdriver. Screw the plate back.
3. Connect the wiring in accordance to the wiring diagram in these specifications. If you are not using the dimming, wires cap them off but not together.
4. Reattach knockout plate to top of the fixture.



## INSTALLATION INSTRUCTIONS

### POLE MOUNT

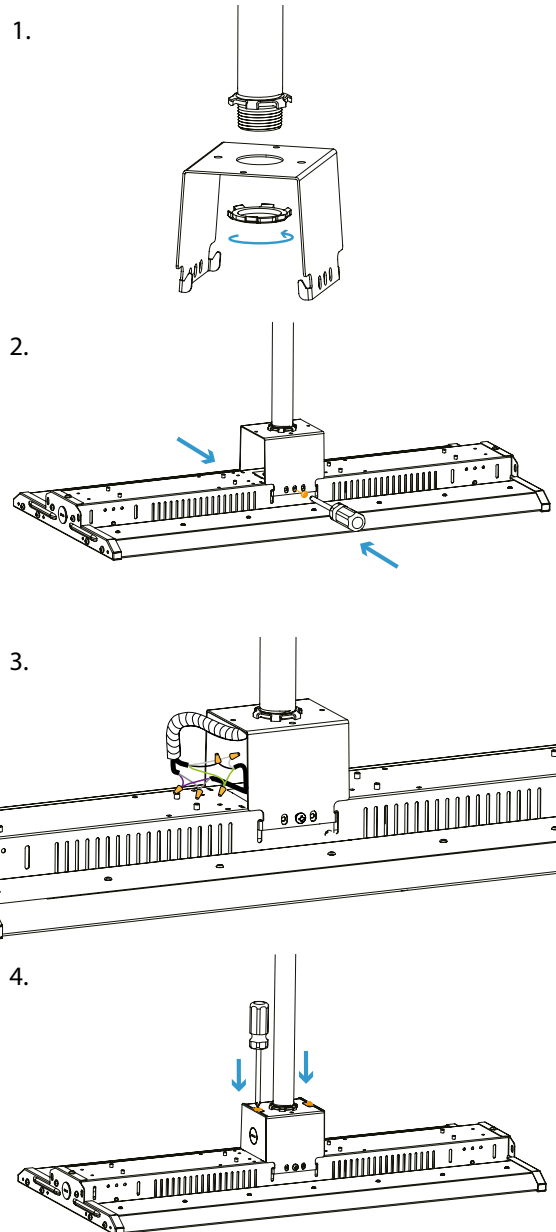
### MOUNTING BRACKET (SOLD SEPARATELY)



Pendant mounting bracket allows for easy 3/4 NPT installation. Bracket does not include nut or screw for mounting to surface.

### INSTALLATION STEPS

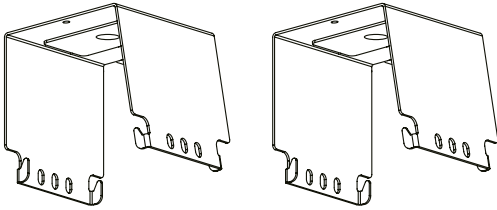
1. Install the mounting bracket on 3/4 NPT pipe.
2. Use a screw driver to attach bracket to center of the fixture.
3. Connect the wiring in accordance to the wiring diagram in these specifications. If you are not using the dimming wires, cap them off but not together.
4. Lock side brackets with screwdriver.



## INSTALLATION INSTRUCTIONS

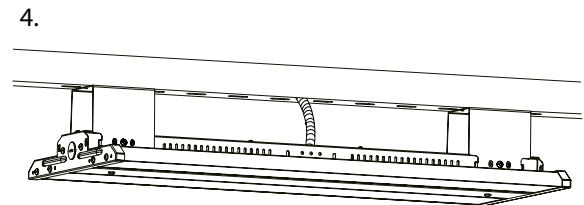
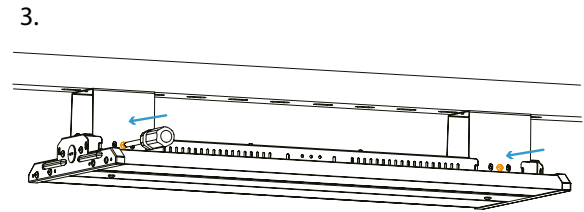
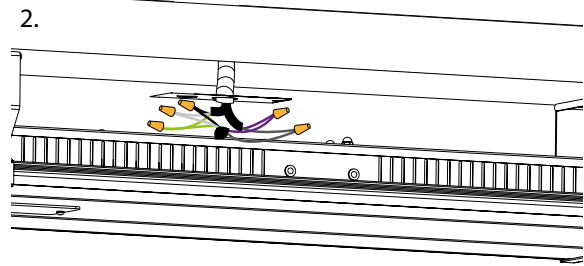
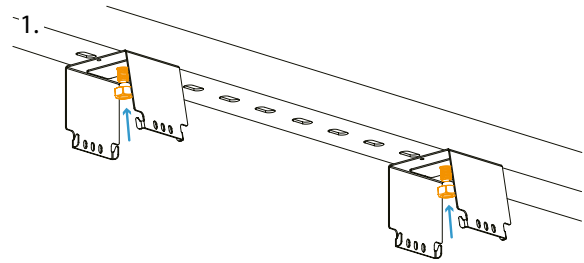
### SURFACE MOUNT

### MOUNTING BRACKET (SOLD SEPARATELY)



### INSTALLATION STEPS

1. Bolt the brackets to ceiling, beam, joist or rail. (bolts not included).
2. Connect the wiring in accordance to the wiring diagram in these specifications. If you are not using the dimming wires cap them off but not together.
3. Attach the fixture to the bracket. 2 screws per each side of the bracket.

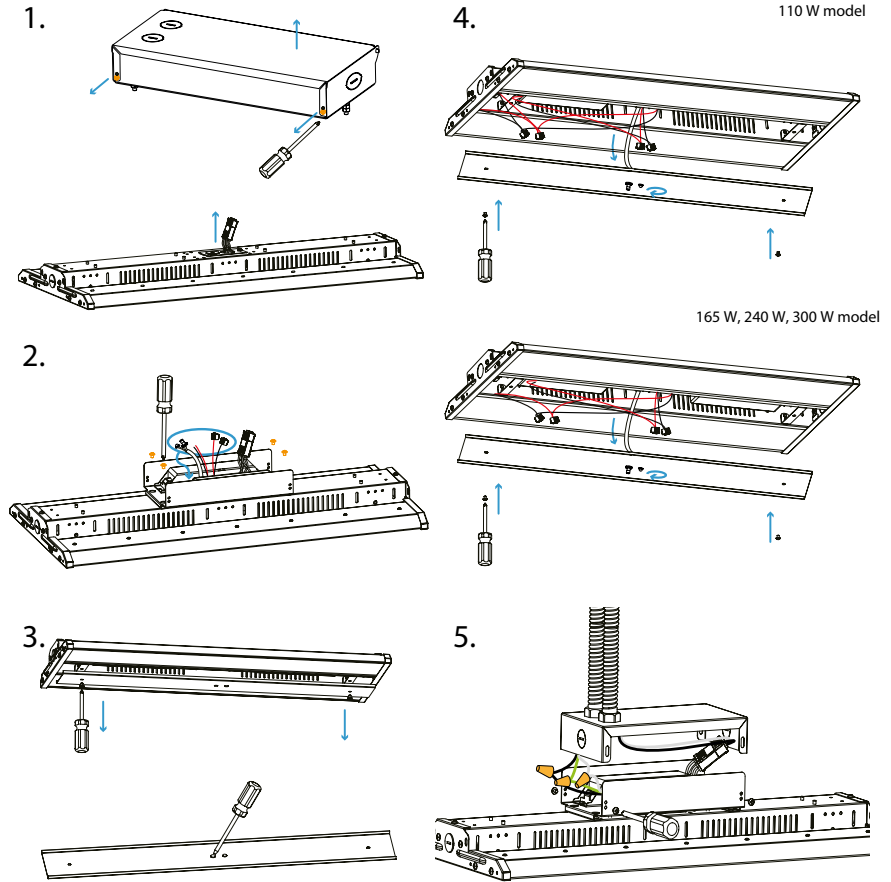


## INSTALLATION INSTRUCTIONS

### Emergency Back Up Battery Kit

(SOLD SEPARATELY)

1. Open the wiring compartment of the highbay (unscrew the back plate, remove knockouts, take the wires out, screw the plate back). Remove the cover of the EM driver (4 screws)
2. Attach the driver to the back of the highbay with 4 screws, pull the wires out. Connect the driver to the panel following the diagram below.
3. Reverse the fixture, take the center panel down. Remove 2 knockouts in the middle of the panel for indicator light and test button install.
4. Pull indicator light and test button from the emergency driver to the front of the fixture, install them into the front cover. Screw the front panel back to the fixture.
5. Connect the fixture to power as it's shown in the diagram below, attach the cover of the EM driver. Installation is complete.



## EMERGENCY-KIT WIRING DIAGRAM

110 W

165 W, 220 W, 300 W

