

Project Name: _____ Type: _____ Quantity: _____

INTENDED USE

The specification grade 15209 is the ideal solution for warehouse, gymnasium, or other mid to high-ceiling applications where high output LED lighting is desired.

FEATURES

Construction: .064" thick spun aluminum cylinder supplied with aluminum and polycarbonate reflector options.

Mounting: Adjustable aircraft cable with either straight or coiled cords, hard stem which can accommodate sloped ceilings with a 45° swivel.

Refactor: Polycarbonate reflector provides more rugged performance in an abusive environment. Aluminum heavy gauge, high purity, spun aluminum. Polyester powdercoat finish.

CRI: 80+ Standard, 90+ Optional

Voltage: 120-277V for 0-10V Dimming.
120V for TRIAC Dimming.

LED Driver: 0-10V 5-wire dims to 1% and Triac 3-wire dims to 20%.

Life-span: 50,000 hours at L70 standard.

Labels: UL, ETL, CSA, Suitable for Damp Locations. Wet location under covered ceiling.

Warranty: 5 years carefree for parts & components (labor not included)



Flat Clear Lens
(Optional)



Conical Lens
(Optional)



ORDERING INFORMATION Example: (15209-12-11L-27K-AL-WH-AC6-WH-WH-SC-010)

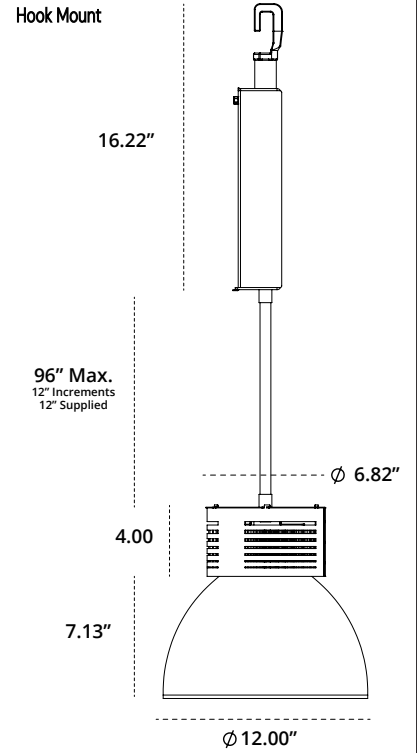
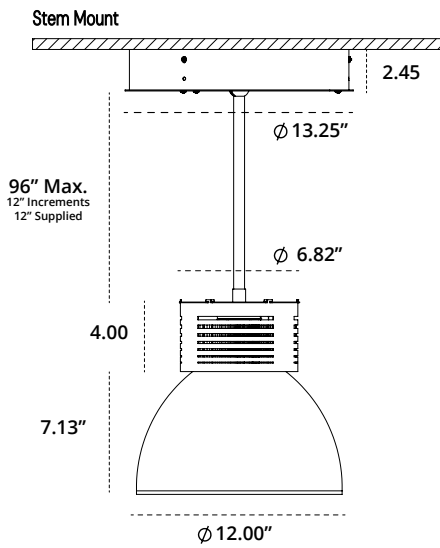
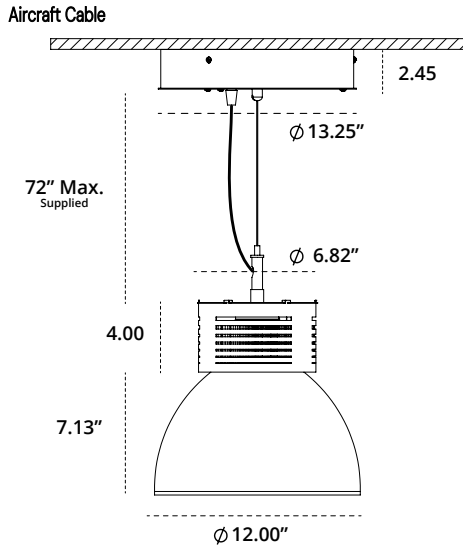
MODEL	15209		
DIAMETER	12 12" Dia.	16 16" Dia.	
LUMENS	5L 5000 6L 6000 8L 8000	10L 10000 12L 12000 15L 15000	17L ⁵ 17000 20L ⁵ 20000
COLOR TEMP	27K 2700K 30K 3000K	35K 3500K 40K 4000K	
CRI	(Blank) 80+	9 90+	
SHADE	AL ¹ Aluminum	PL Polycarbonate	
HOUSING FINISH	WH White BK Black	BZ ² Bronze SL ³ Silver	CC Specify SKU (Pg. 7)
MOUNTING	AC4 4' Aircraft Cable AC6 6' Aircraft Cable AC8 ⁵ 8' Aircraft Cable ACxx Specify X in Feet (Max 8')	ST4 4' Stem ST6 6' Stem ST8 8' Stem STxx Specify X in Feet (Max 8')	HM2 2' Hook Mount HM4 4' Hook Mount HMxx Specify X in Feet (Max 8')
MOUNTING FINISH	WH White BK Black	BZ ² Bronze SL ³ Silver	CC Specify SKU (Pg. 7)
CORD FINISH	WH White	BK Black	GR Gray
REFLECTOR FINISH	SC Specular Clear	SG Soft Glow Clear	
BOTTOM LENS	(Blank) Open	FL Flat Clear Lens	CL Conical Lens
DIMMING	O10 0-10V Dim to 1%	TRI ⁴ Triac Dim to 20%	
OPTIONS	REM Remote Emergency Battery Backup SC Safety Cable WG Wire Guard HC Die-Cast Hook, 18/5 Cord HCP Die-Cast Hook, 18/5 Cord, NEMA Twist Lock Plug		

Lumens	Wattage
1100-40K	13.8
1100-27K	14.7
1500-40K	18.8
1500-27K	20.1
2000-40K	25.2
2000-27K	26.4
3000-40K	35.8
3000-27K	37.1
4000-40K	51.0
4000-27K	52.3
5000-40K	56.0
5000-27K	57.4

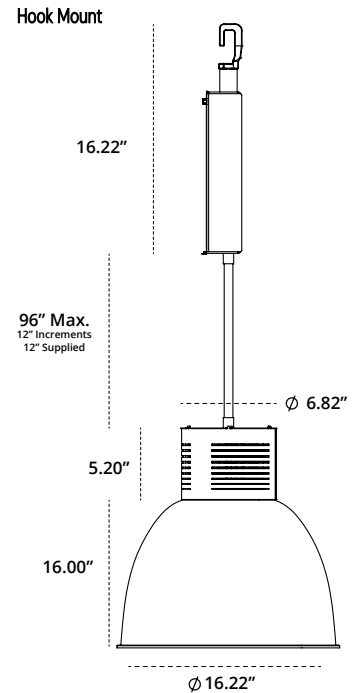
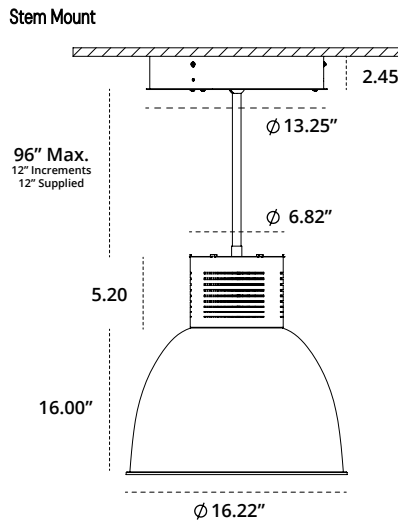
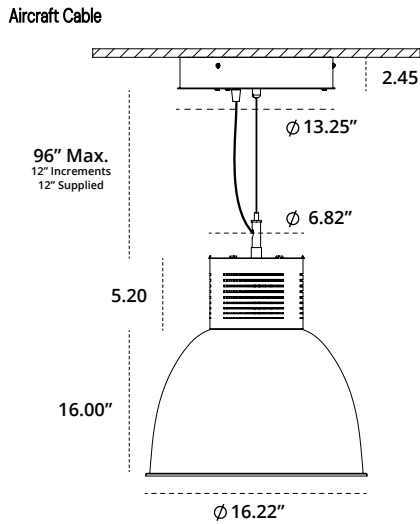
¹ Aluminum shade matches housing finish. Interior white finish is standard.
² Bronze finish only available with stem mounting.
³ Silver finish only available with stem and aircraft cable mountings.
⁴ Not available for lumen packages from 15L-20L
⁵ Only for 16" Diameter Fixture

MOUNTING

12" FIXTURE DIMENTIONS

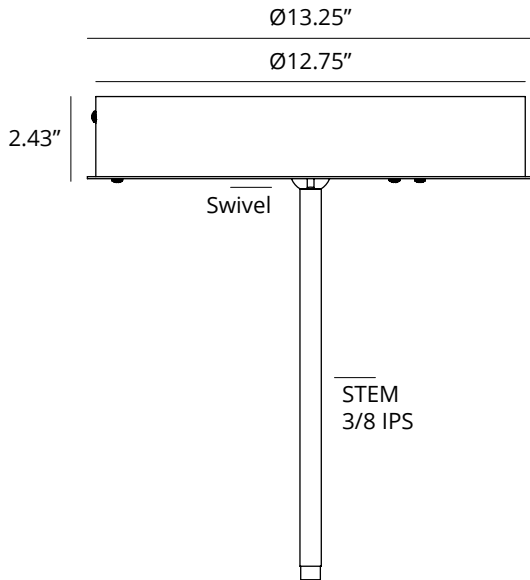


16" FIXTURE DIMENTIONS

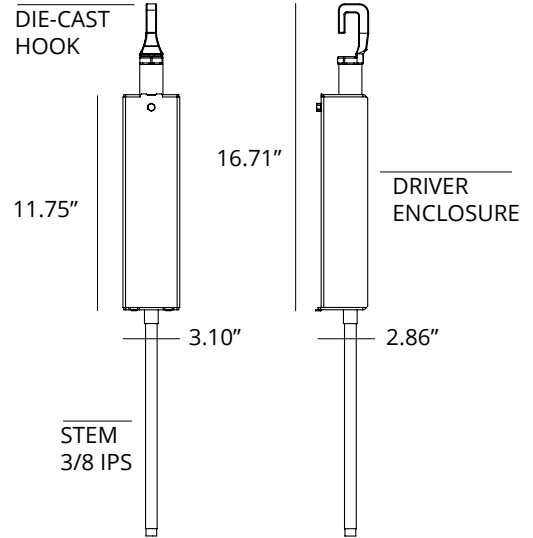


MOUNTING

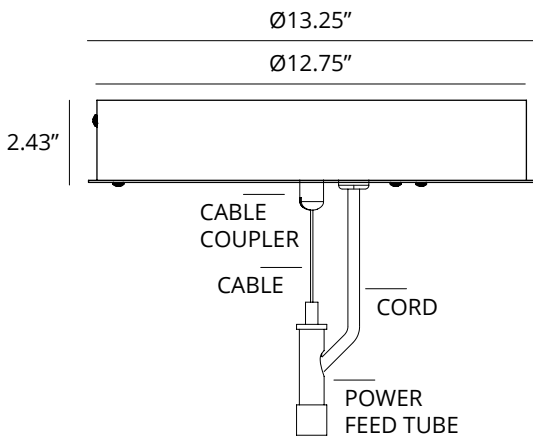
Stem Mount
Driver located in canopy.



Hook Mount
Driver located in driver enclosure.



Aircraft Cable Mount
Cord & Cable Mount, fixed canopy (standard), driver located in canopy



12" PHOTOMETRY

Aluminum Shade 80°

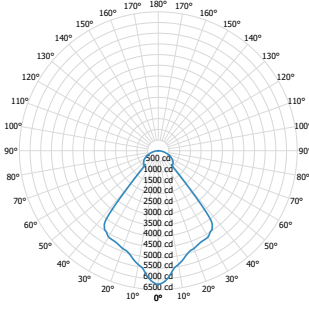
Lumens
9295

Watts
85.2

Efficacy
109.10

SC
1.1

Candela Curve



Cone of Light

Mounting Height AFF	FC at Center on Floor	Beam Diameter
8.0 ft	98 fc	12.7 ft
10.0 ft	63 fc	15.9 ft
12.0 ft	43 fc	19.1 ft
14.0 ft	32 fc	22.3 ft
16.0 ft	24 fc	25.5 ft
20.0 ft	16 fc	31.9 ft
24.0 ft	11 fc	38.2 ft
30.0 ft	7 fc	47.8 ft

Candela Table

0.00°	0.00°
0.00°	6257
5.00°	5900
10.00°	5408
15.00°	5057
20.00°	4869
30.00°	4656
40.00°	2029
50.00°	901
60.00°	727
70.00°	472
80.00°	208
90.00°	0

Zonal Lumen Summary

Zone	Lumens	% Luminaire
0° - 30°	4174	45%
0° - 40°	6682	72%
0° - 60°	8243	89%
60° - 90°	1053	11%
0° - 20°	1984	21%
20° - 50°	5522	59%
50° - 70°	1332	14%
70° - 90°	457	5%
0° - 90°	9295	100%
90° - 180°	0	0%
Total	9295	100%

Spacing Criterion

Height	Spacing	Light Level*
8 ft	8.8 ft	~ 98 fc
10 ft	11.0 ft	~ 63 fc
12 ft	13.2 ft	~ 43 fc
8 ft	6.6 ft	~ 174 fc
10 ft	8.3 ft	~ 111 fc
12 ft	9.9 ft	~ 77 fc
8 ft	4.4 ft	~ 391 fc
10 ft	5.5 ft	~ 250 fc
12 ft	6.6 ft	~ 174 fc

* approximate direct light level at floor based on spacing criterion overlap

Polycarbonate Shade 65°

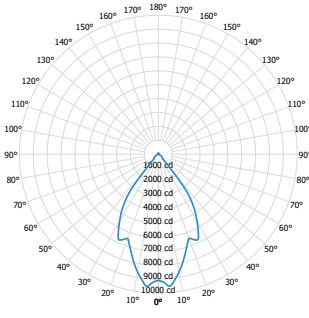
Lumens
9517

Watts
85.2

Efficacy
111.70

SC
1

Candela Curve



Cone of Light

Mounting Height AFF	FC at Center on Floor	Beam Diameter
8.0 ft	142 fc	10.4 ft
10.0 ft	91 fc	13.0 ft
12.0 ft	63 fc	15.6 ft
14.0 ft	46 fc	18.2 ft
16.0 ft	36 fc	20.9 ft
20.0 ft	23 fc	26.1 ft
24.0 ft	16 fc	31.3 ft
30.0 ft	10 fc	39.1 ft

Candela Table

0.00°	0.00°
0.00°	9091
5.00°	9540
10.00°	8603
15.00°	7442
20.00°	6467
30.00°	5573
40.00°	1404
50.00°	363
60.00°	216
70.00°	90
80.00°	52
90.00°	38

Zonal Lumen Summary

Zone	Lumens	% Luminaire
0° - 30°	5918	62%
0° - 40°	8355	88%
0° - 60°	9051	95%
60° - 90°	263	3%
0° - 20°	2964	31%
20° - 50°	5821	61%
50° - 70°	407	4%
70° - 90°	122	1%
0° - 90°	9314	98%
90° - 180°	203	2%
Total	9517	100%

Spacing Criterion

Height	Spacing	Light Level*
8 ft	8.0 ft	~ 142 fc
10 ft	10.0 ft	~ 91 fc
12 ft	12.0 ft	~ 63 fc
8 ft	6.0 ft	~ 253 fc
10 ft	7.5 ft	~ 162 fc
12 ft	9.0 ft	~ 112 fc
8 ft	4.0 ft	~ 568 fc
10 ft	5.0 ft	~ 364 fc
12 ft	6.0 ft	~ 253 fc

* approximate direct light level at floor based on spacing criterion overlap

Polycarbonate Shade - Flat Bottom Lens 65°

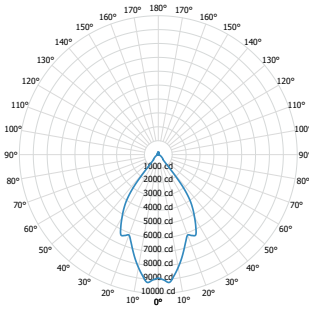
Lumens
9210

Watts
85.2

Efficacy
108.10

SC
0.98

Candela Curve



Cone of Light

Mounting Height AFF	FC at Center on Floor	Beam Diameter
8.0 ft	139 fc	10.2 ft
10.0 ft	89 fc	12.7 ft
12.0 ft	62 fc	15.3 ft
14.0 ft	45 fc	17.8 ft
16.0 ft	35 fc	20.4 ft
20.0 ft	22 fc	25.5 ft
24.0 ft	15 fc	30.6 ft
30.0 ft	10 fc	38.2 ft

Candela Table

0.00°	0.00°
0.00°	8893
5.00°	9230
10.00°	8245
15.00°	7111
20.00°	6171
30.00°	5223
40.00°	1086
50.00°	379
60.00°	205
70.00°	86
80.00°	51
90.00°	45

Zonal Lumen Summary

Zone	Lumens	% Luminaire
0° - 30°	5626	61%
0° - 40°	7845	85%
0° - 60°	8519	92%
60° - 90°	256	3%
0° - 20°	2840	31%
20° - 50°	5424	59%
50° - 70°	391	4%
70° - 90°	120	1%
0° - 90°	8774	95%
90° - 180°	436	5%
Total	9210	100%

Spacing Criterion

Height	Spacing	Light Level*
8 ft	7.8 ft	~ 139 fc
10 ft	9.8 ft	~ 89 fc
12 ft	11.8 ft	~ 62 fc
8 ft	5.9 ft	~ 247 fc
10 ft	7.4 ft	~ 158 fc
12 ft	8.8 ft	~ 110 fc
8 ft	3.9 ft	~ 556 fc
10 ft	4.9 ft	~ 356 fc
12 ft	5.9 ft	~ 247 fc

* approximate direct light level at floor based on spacing criterion overlap

Polycarbonate Shade - Conical Lens 80°

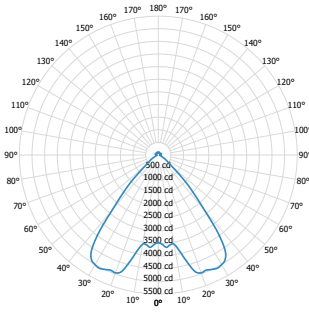
Lumens
9238

Watts
85.2

Efficacy
108.43

SC
1.56

Candela Curve



Cone of Light

Mounting Height AFF	FC at Center on Floor	Beam Diameter
8.0 ft	54 fc	14.0 ft
10.0 ft	35 fc	17.4 ft
12.0 ft	24 fc	20.9 ft
14.0 ft	18 fc	24.4 ft
16.0 ft	14 fc	27.9 ft
20.0 ft	9 fc	34.9 ft
24.0 ft	6 fc	41.9 ft
30.0 ft	4 fc	52.3 ft

Candela Table

0.00°	0.00°
0.00°	3465
5.00°	3666
10.00°	3587
15.00°	4374
20.00°	4962
30.00°	5012
40.00°	2830
50.00°	726
60.00°	283
70.00°	106
80.00°	52
90.00°	56

Zonal Lumen Summary

Zone	Lumens	% Luminaire
0° - 30°	3919	42%
0° - 40°	6608	72%
0° - 60°	8265	89%
60° - 90°	311	3%
0° - 20°	1607	17%
20° - 50°	6253	68%
50° - 70°	584	6%
70° - 90°	133	1%
0° - 90°	8577	93%
90° - 180°	662	7%
Total	9238	100%

Spacing Criterion

Height	Spacing	Light Level*
8 ft	12.5 ft	~ 54 fc
10 ft	15.6 ft	~ 35 fc
12 ft	18.7 ft	~ 24 fc
8 ft	9.4 ft	~ 96 fc
10 ft	11.7 ft	~ 62 fc
12 ft	14.0 ft	~ 43 fc
8 ft	6.2 ft	~ 217 fc
10 ft	7.8 ft	~ 139 fc
12 ft	9.4 ft	~ 96 fc

* approximate direct light level at floor based on spacing criterion overlap

MULTIPLIER

CRI	Multiplier	Kelvin	Multiplier
80	1	3000K	0.975
90	0.84	3500K	1
		4000K	1.035
		5000K	1.098

16" PHOTOMETRY

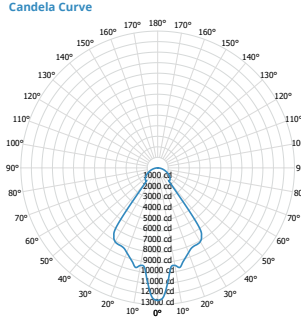
Aluminum Shade 70°

Lumens
14976

Watts
112

Efficacy
133.71

SC
0.88



Mounting Height AFF	FC at Center on Floor	Beam Diameter
8.0 ft	197 fc	11.4 ft
10.0 ft	126 fc	14.2 ft
12.0 ft	88 fc	17.0 ft
14.0 ft	64 fc	19.9 ft
16.0 ft	49 fc	22.7 ft
20.0 ft	32 fc	28.4 ft
24.0 ft	22 fc	34.1 ft
30.0 ft	14 fc	42.6 ft

Candela Table	
0.00°	
0.00°	12607
5.00°	10945
10.00°	9415
15.00°	9259
20.00°	8573
30.00°	8091
40.00°	1720
50.00°	1531
60.00°	1167
70.00°	732
80.00°	325
90.00°	0

Zonal Lumen Summary		
Zone	Lumens	% Luminaire
0° - 30°	7396	49%
0° - 40°	10848	72%
0° - 60°	13328	89%
60° - 90°	1648	11%
0° - 20°	3584	24%
20° - 50°	8525	57%
50° - 70°	2154	14%
70° - 90°	712	5%
0° - 90°	14976	100%
90° - 180°	0	0%
Total	14976	100%

Spacing Criterion		
Height	Spacing	Light Level*
8 ft	7.0 ft	~ 197 fc
10 ft	8.8 ft	~ 126 fc
12 ft	10.6 ft	~ 88 fc
8 ft	5.3 ft	~ 350 fc
10 ft	6.6 ft	~ 224 fc
12 ft	7.9 ft	~ 156 fc
8 ft	3.5 ft	~ 788 fc
10 ft	4.4 ft	~ 504 fc
12 ft	5.3 ft	~ 350 fc

* approximate direct light level at floor based on spacing criterion overlap

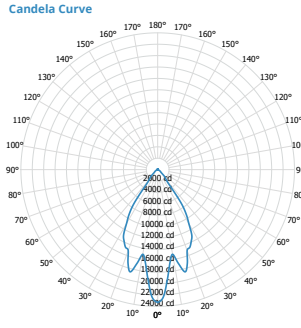
Polycarbonate Shade 60°

Lumens
19347

Watts
156

Efficacy
124.02

SC
0.82



Mounting Height AFF	FC at Center on Floor	Beam Diameter
8.0 ft	364 fc	8.9 ft
10.0 ft	233 fc	11.1 ft
12.0 ft	162 fc	13.4 ft
14.0 ft	119 fc	15.6 ft
16.0 ft	91 fc	17.8 ft
20.0 ft	58 fc	22.3 ft
24.0 ft	40 fc	26.7 ft
30.0 ft	26 fc	33.4 ft

Candela Table	
0.00°	
0.00°	23305
5.00°	19401
10.00°	15087
15.00°	18565
20.00°	15117
30.00°	10936
40.00°	2407
50.00°	800
60.00°	429
70.00°	198
80.00°	59
90.00°	37

Zonal Lumen Summary		
Zone	Lumens	% Luminaire
0° - 30°	12784	66%
0° - 40°	16809	87%
0° - 60°	18570	96%
60° - 90°	471	2%
0° - 20°	6527	34%
20° - 50°	11496	59%
50° - 70°	847	4%
70° - 90°	170	1%
0° - 90°	19041	98%
90° - 180°	306	2%
Total	19347	100%

Spacing Criterion		
Height	Spacing	Light Level*
8 ft	6.6 ft	~ 364 fc
10 ft	8.2 ft	~ 233 fc
12 ft	9.8 ft	~ 162 fc
8 ft	4.9 ft	~ 647 fc
10 ft	6.1 ft	~ 414 fc
12 ft	7.4 ft	~ 288 fc
8 ft	3.3 ft	~ 1457 fc
10 ft	4.1 ft	~ 932 fc
12 ft	4.9 ft	~ 647 fc

* approximate direct light level at floor based on spacing criterion overlap

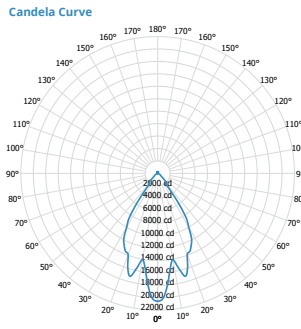
Polycarbonate Shade - Flat Bottom Lens 60°

Lumens
18076

Watts
156

Efficacy
115.87

SC
0.86



Mounting Height AFF	FC at Center on Floor	Beam Diameter
8.0 ft	322 fc	9.1 ft
10.0 ft	206 fc	11.3 ft
12.0 ft	143 fc	13.6 ft
14.0 ft	105 fc	15.9 ft
16.0 ft	80 fc	18.1 ft
20.0 ft	51 fc	22.7 ft
24.0 ft	36 fc	27.2 ft
30.0 ft	23 fc	34.0 ft

Candela Table	
0.00°	
0.00°	20589
5.00°	18018
10.00°	14090
15.00°	17133
20.00°	13917
30.00°	9962
40.00°	2279
50.00°	803
60.00°	427
70.00°	202
80.00°	67
90.00°	51

Zonal Lumen Summary		
Zone	Lumens	% Luminaire
0° - 30°	11762	65%
0° - 40°	15197	84%
0° - 60°	16945	94%
60° - 90°	491	3%
0° - 20°	6037	33%
20° - 50°	10361	57%
50° - 70°	851	5%
70° - 90°	188	1%
0° - 90°	17437	96%
90° - 180°	639	4%
Total	18076	100%

Spacing Criterion		
Height	Spacing	Light Level*
8 ft	6.9 ft	~ 322 fc
10 ft	8.6 ft	~ 206 fc
12 ft	10.3 ft	~ 143 fc
8 ft	5.2 ft	~ 572 fc
10 ft	6.4 ft	~ 366 fc
12 ft	7.7 ft	~ 254 fc
8 ft	3.4 ft	~ 1287 fc
10 ft	4.3 ft	~ 824 fc
12 ft	5.2 ft	~ 572 fc

* approximate direct light level at floor based on spacing criterion overlap

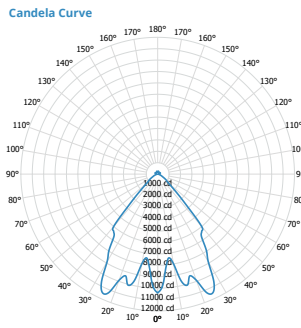
Polycarbonate Shade - Conical Lens 80°

Lumens
17746

Watts
156

Efficacy
113.76

SC
1.21



Mounting Height AFF	FC at Center on Floor	Beam Diameter
8.0 ft	163 fc	13.6 ft
10.0 ft	104 fc	17.0 ft
12.0 ft	72 fc	20.4 ft
14.0 ft	53 fc	23.8 ft
16.0 ft	41 fc	27.2 ft
20.0 ft	26 fc	34.0 ft
24.0 ft	18 fc	40.7 ft
30.0 ft	12 fc	50.9 ft

Candela Table	
0.00°	
0.00°	10408
5.00°	8244
10.00°	7986
15.00°	10073
20.00°	9911
30.00°	8879
40.00°	6012
50.00°	1278
60.00°	591
70.00°	251
80.00°	85
90.00°	76

Zonal Lumen Summary		
Zone	Lumens	% Luminaire
0° - 30°	8434	48%
0° - 40°	12858	72%
0° - 60°	15916	90%
60° - 90°	635	4%
0° - 20°	3499	20%
20° - 50°	11608	65%
50° - 70°	1205	7%
70° - 90°	239	1%
0° - 90°	16550	93%
90° - 180°	1196	7%
Total	17746	100%


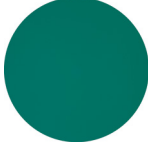



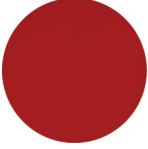


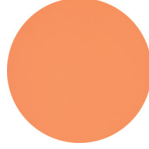










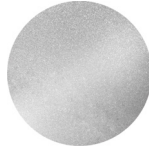




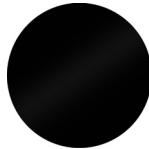
Spacing Criterion		
Height	Spacing	Light Level*
8 ft	9.7 ft	~ 163 fc
10 ft	12.1 ft	~ 104 fc
12 ft	14.5 ft	~ 72 fc
8 ft	7.3 ft	~ 289 fc
10 ft	9.1 ft	~ 185 fc
12 ft	10.9 ft	~ 128 fc
8 ft	4.8 ft	~ 651 fc
10 ft	6.0 ft	~ 416 fc
12 ft	7.3 ft	~ 289 fc

* approximate direct light level at floor based on spacing criterion overlap

MULTIPLIER

CRI	Multiplier	Kelvin	Multiplier
80	1	3000K	0.975
90	0.84	3500K	1
		4000K	1.035
		5000K	1.098

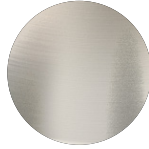

AVAILABLE FINISHES

				
RBE - ROBIN EGG	TRQ - TURQUOISE	DEU - DARK EUCALYPTUS	HBL - HYDRANGEA BLUE	BLB - BLUE BIRD
				
BRD - BORDEAUX RED	PCL - PINK CORAL	SPK - SUBTLE PINK	SOR - SALMON ORANGE	SSG - SUNSET ORANGE
				
RVT - RED VELVET	PVT - PURPLE VELVET	BVT - BLUE VELVET	WHC - WHITE CRYSTAL	WH - WHITE MATTE
				
WHG - WHITE HIGH GLOSS	TGD - TRANSLUCENT GOLD	BA - BRUSHED ALUMINUM	ACR - ANTIQUE CHROME	SL - MIRROR SILVER SPARKLE
				
MCL - METALLIC CHARCOAL	BZ - BRONZE	BLS - BLACK SCALE	BK - BLACK MATTE	PBK - PIANO BLACK

CORD ONLY FINISHES

		
BK - BLACK CORD	GR - GREY CORD	WH - WHITE CORD

REFLECTOR ONLY FINISHES

	
SC - SPECULAR CLEAR	SG - SOFT GLOW CLEAR

COLOR TEMPERATURE GUIDE

2700K	3000K	3500K	4000K	5000K
WARM WHITE	SOFT WHITE GLOW	NEUTRAL GLOW	COOL WHITE GLOW	DAYLIGHT GLOW
friendly personal intimate	soft warm pleasing	sociable inviting non-threatening	neat clean efficient	bright cool alert
HOMES LIBRARIES RESTAURANTS	HOMES HOTEL ROOMS LOBBIES RETAIL STORES	EXECUTIVE OFFICES RECEPTION AREAS SUPERMARKETS	OFFICES CLASSROOMS MASS MERCHANDISERS SHOWROOMS	GRAPHICS INDUSTRY HOSPITALS GALLERIES BEAUTY SALONS
✓	✓	✓	✓	✗