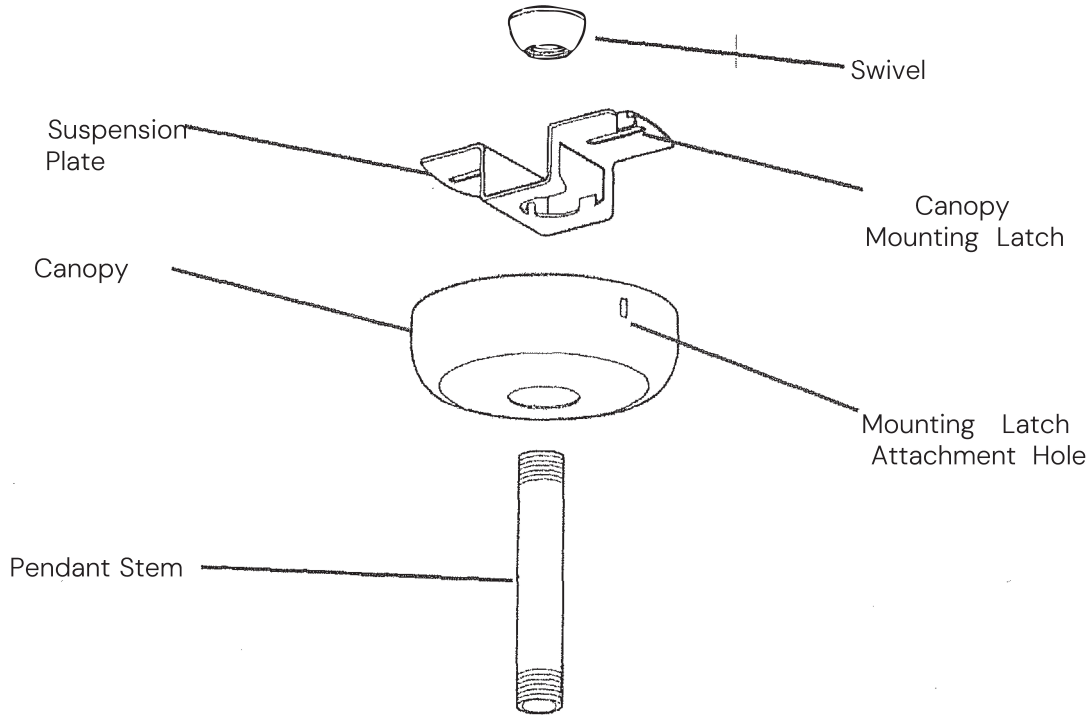


SWIVEL AND STEM ASSEMBLY



Standard swivel stem assembly comes with all pendant mounted cylinders.

Swivel is capable of adjusting to a 45° degree pitch from a vertical position.

Mounting Directions

1. Securely fasten the suspension plate to **ANY** 4" octagonal junction box via threaded screws usually supplied with junction box manufacturer.
2. Screw in the bottom portion of the stem to the threaded fitting attached to the top of the cylinder.
3. Slide canopy over the stem before you securely screw down the swivel ball to the stem.
4. Slide the swivel and attached stem into the suspension plate bracket.
5. Slide canopy up the stem till it rests flush to the ceiling, next firmly insert the canopy mounting latch into the attachment hole located on the attachment hold located on the canopy thus securing the canopy to the suspension plate.