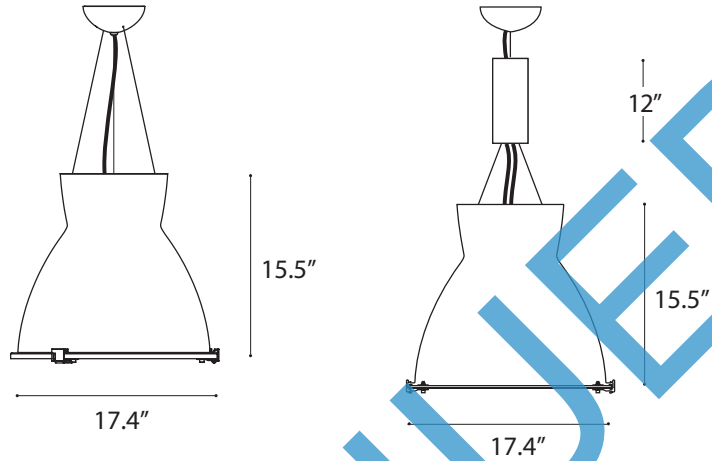


This Product Has Been Updated >



FIXTURE SPECIFICATIONS

INTENDED USE

The specification grade **Suono Architectural LED High and Low Bay Pendant** provides high CRI increasing the light quality of a space and improving visibility, thus reducing the chance of accidents. The Suono is an ideal option for commercial applications and interior spaces looking for bright and efficient lighting.

FEATURES

- Construction:** Spun Matte Anodized .063 Aluminum Housing
- Mounting:** 6FT Adjustable Aircraft Cable/Power Cord
- Canopy:** Mounts to Standard J-Boxes
- Lens:** Frosted 3/16" Tempered, Soda Lime Glass with 2" Ventilation
- Gasket:** Rubber
- Driver:** Constant Current
- Voltage:** 120-277V
- Wattage:** 50W
- Lumens:** 3558 lms
- Dimming:** 5-Wire 0-10V Dimming 100%-10%
- CRI:** 87
- Efficacy:** 66.68
- Listings:** cUL Listed for Dry Location Only



ORDERING INFORMATION Example: (15203-120-30K)

Model	Voltage	Color Temp	Options
15203	120 120V	30K 3000K	EM¹ Emergency Backup Battery 7 watts 3558 lumens
	277 277V	35K 3500K	
		40K 4000K	

¹Emergency Operation for 90 Minutes