

Project Name: _____ Type: _____ Quantity: _____

INTENDED USE

The Specification Grade Alcon Lighting 15202 RLM Industrial LED Angled Dome Sign Light is the ideal solution for Commercial Kitchen, Restaurant, Warehouse, Gymnasium, or other high-ceiling applications where high output LED lighting is desired.



FEATURES

- Lens:** Frosted Acrylic Lens approved for food service use
- CRI:** 90
- Voltage:** 120-277V 50/60Hz
- Dimming:** 0-10V Dimmable to 1%
- Wattage:** 28W
- Lumens:** 2800 lms
- Life:** 50,000 Hour
- Listings:** cUL wet location rated for stem and wall mounts, Made in the USA
- Warranty:** 1 year carefree for parts & components (labor not included)
- 1/2" IPS Pipe for Stem and Wall Mount options.

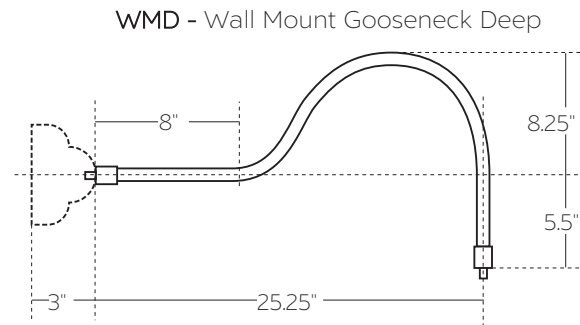
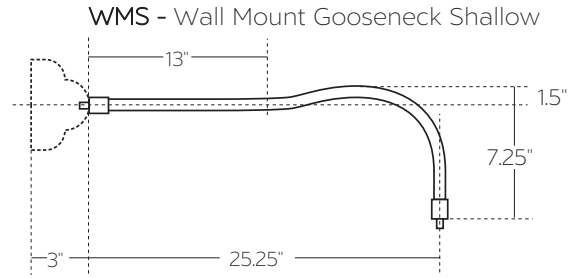
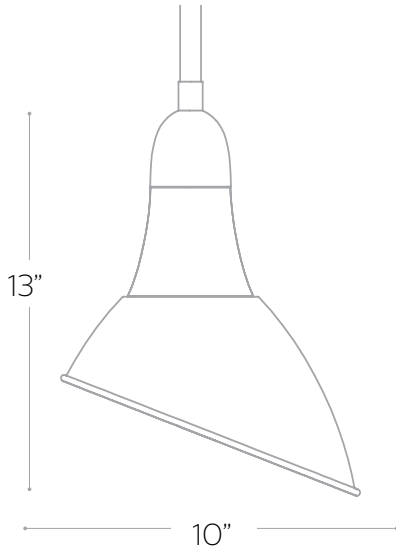


Alcon Lighting 15205 RLM Industrial LED Angled Dome Sign Light

ORDERING INFORMATION Example: [\(15202-WH-WH-27K-AC72\)](#)

Model	Mounting	Exterior Finish	Interior Finish	Color Temp	Options
15202	WMD Wall Mount Gooseneck Deep 8.25"	WH White	WH White	27K 2700K	EM Remote Emergency Back-Up Battery
		SL Silver	GD Gold	30K 3000K	
		BK Black		35K 3500K	
	WMS Wall Mount Gooseneck Shallow 1.50"			40K 4000K	

LINE DRAWINGS



COLOR TEMPERATURE GUIDE

<p>2700K WARM WHITE</p> <p>friendly personal intimate</p> <p>HOMES LIBRARIES RESTAURANTS</p> <p>✓</p>	<p>3000K SOFT WHITE GLOW</p> <p>soft warm pleasing</p> <p>HOMES HOTEL ROOMS LOBBIES RETAIL STORES</p> <p>✓</p>	<p>3500K NEUTRAL GLOW</p> <p>sociable inviting non-threatening</p> <p>EXECUTIVE OFFICES RECEPTION AREAS SUPERMARKETS</p> <p>✓</p>	<p>4000K COOL WHITE GLOW</p> <p>neat clean efficient</p> <p>OFFICES CLASSROOMS MASS MERCHANDISERS SHOWROOMS</p> <p>✓</p>	<p>5000K DAYLIGHT GLOW</p> <p>bright cool alert</p> <p>GRAPHICS INDUSTRY HOSPITALS GALLERIES BEAUTY SALONS</p> <p>✗</p>
--	---	--	---	--