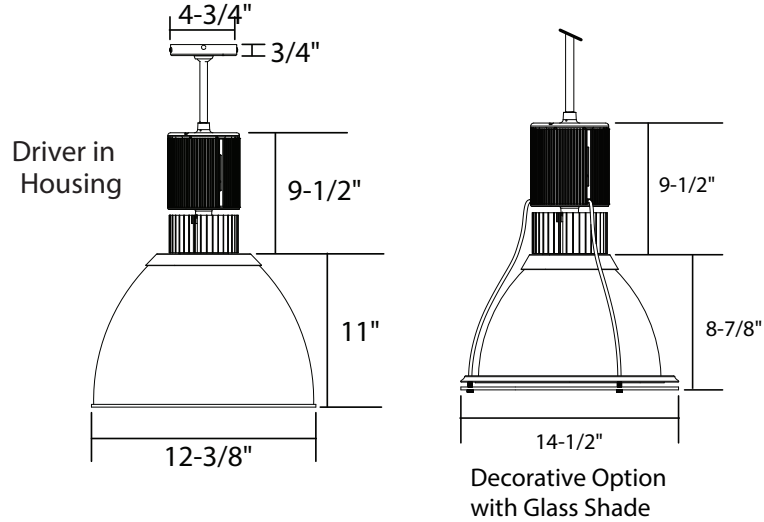


Project Name:

Type:

Quantity:



FIXTURE SPECIFICATIONS

INTENDED USE

The HBV Series Architectural High Bay LED Pendant Light Fixture is the ideal solution for warehouse, gymnasium, or other high-ceiling applications where high output LED lighting is desired.

PRODUCT FAMILY

15200-1 | Universal Dimming

DIMENSIONS

H 18" x Dia 12"

FEATURES

Construction: Decorative design for simple installation with a thin ceiling canopy and compact driver housing/heat sink

Mounting: Flexible cable or rigid stem

Housing: Standard

Lamp: 3-step MacAdam Ellipse color consistency

Voltage: 120-277V

CRI: 80+

Dimming: 0-10V Dimming down to 10%

Life: 50,000 hours

Warranty: 5 years

Listings: cCSAus certified to UL standards Energy Star Listed Suitable for damp locations



ORDERING INFORMATION

Example: (15200-2-SLO-30K-INT-AL12-FC-BB-DECO-EM)

Model	Lumen Output	Color Temp	Driver	Shade Type
15200-2	SLO: Standard Lumen Output 57 watts 6580 lms MLO: Medium Lumen Output 65 watts 7270 lms HLO: High Lumen Output¹ 90 watts 9230 lms	27K 2700K 30K 3000K 35K 3500K 40K 4000K	INTD Internal REMD Remote Mount CPMD Canopy Mount	AL12 12" Aluminum ACR12 12" Clear Acrylic AMG12 12" Amber Glass BLG12 12" Blue Glass RDG12 12" Red Glass WHG12 12" White Glass CLN12 12" Clear Reflector (Narrow Distribution) CLM12 12" Clear Reflector (Medium Distribution) CLW12 12" Clear Reflector (Wide Distribution)
Mounting	Housing/Cord	Options		
FC 120" Adjustable Flexible Steel Cable ST6 6" Rigid Stem ST12 12" Rigid Stem ST24 24" Rigid Stem ST36 36" Rigid Stem ST48 48" Rigid Stem	BB Black Housing/ Black Cord WW White Housing/ White Cord SB Silver Housing/ Black Cord	DECO Decorative Legs & Bottom Glass Lens EM Remote Emergency Backup Battery COUP External Coupling for Connecting Stems ND Non-Dimming		

¹ Not compatible with (INTD) internal driver