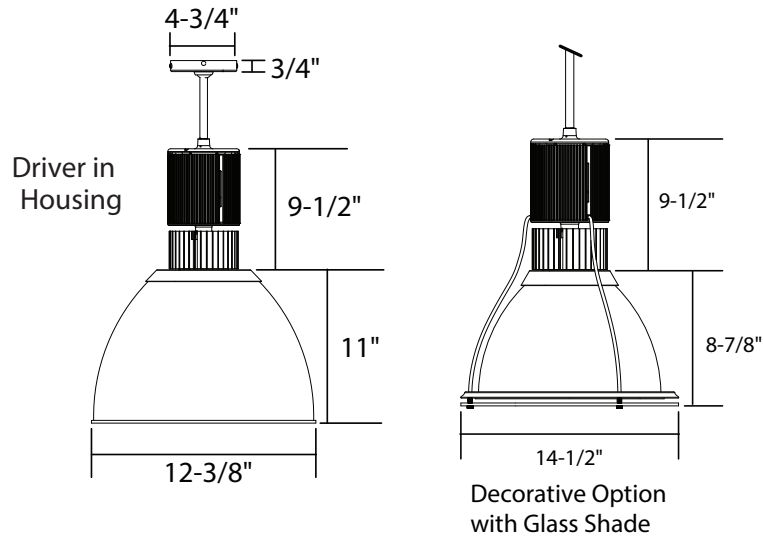


Project Name:

Type:

Quantity:



FIXTURE SPECIFICATIONS

INTENDED USE

The HBV Series Architectural High Bay LED Pendant Light Fixture is the ideal solution for warehouse, gymnasium, or other high-ceiling applications where high output LED lighting is desired.

PRODUCT FAMILY

15200-2 | 0-10V Dimming

DIMENSIONS

H 18" x Dia 12"

FEATURES

Construction: Decorative design for simple installation with a thin ceiling canopy and compact driver housing/heat sink

Mounting: Flexible cable or rigid stem

Housing: Standard

Lamp: 3-step MacAdam Ellipse color consistency

Voltage: 120-277V

CRI: 80+

Dimming: 120/277V Universal driver for TRIAC/ELV/0-10V down to 10%

Life: 50,000 hours

Warranty: 5 years

Listings: cCSAus certified to UL standards Energy Star Listed Suitable for damp locations



ORDERING INFORMATION

Example: (15200-1-SLO-30K-INT-AL12-FC-BB-DECO-EM)

Model	Lumen Output	Color Temp	Driver	Shade Type
15200-1	SLO: Standard Lumen Output 23 watts 3330 lms	27K 2700K	INTD Internal REMD Remote Mount CPMD Canopy Mount	AL12 12" Aluminum ACR12 12" Clear Acrylic AMG12 12" Amber Glass BLG12 12" Blue Glass RDG12 12" Red Glass WHG12 12" White Glass CLN12 12" Clear Reflector (Narrow Distribution) CLM12 12" Clear Reflector (Medium Distribution) CLW12 12" Clear Reflector (Wide Distribution)
	MLO: Medium Lumen Output 36 watts 3650 lms	30K 3000K		
	HLO: High Lumen Output 50 watts 4571 lms	35K 3500K		
		40K 4000K		
Mounting	Housing/Cord	Options		
FC 120" Adjustable Flexible Steel Cable	BB Black Housing/ Black Cord	DECO Decorative Legs & Bottom Glass Lens		
ST6 6" Rigid Stem	WW White Housing/ White Cord	EM Remote Emergency Backup Battery		
ST12 12" Rigid Stem	SB Silver Housing/ Black Cord	COUP External Coupling for Connecting Stems		
ST24 24" Rigid Stem		ND Non-Dimming		
ST36 36" Rigid Stem				
ST48 48" Rigid Stem				