

Project Name:

Type:

Quantity:

FIXTURE SPECIFICATIONS

INTENDED USE

Available in a range of lumen outputs and voltage options, this architectural-grade LED troffer product furnishes a low, sleek aesthetic and is available as a 2ft by 2ft, 2ft by 4ft and 1ft by 4ft. Our ambient, low-glare LED troffer is designed for today's smart lighting commercial buildings. The uniquely frosted and squared lens, combined with high reflectance and recessed, flanged, T-grid lay-in mounting, assures stylishly efficient and quality lighting.

AVAILABLE SIZES

- 1x4** | W 12" x L 48" x H 3.34"
- 2x2** | W 24" x L 24" x H 3.36"
- 2x4** | W 24" x L 48" x H 3.26"

FEATURES

- Construction:** Volumetric center lens, formed and welded 24-Gauge Steel
- Finish:** Post powder painted, matte white finish with 92% Reflectance
- Lens:** Glare-free snap in frosted acrylic for even distribution
- Dimming:** 5-Wire 0-10V (100%-10%)
- Voltage:** 120-277V (50/60 Hz) constant current
- CRI:** >80
- Life:** 60,000 Hours
- Warranty:** 5 Years Carefree for Parts & Components (Labor Not Included)
- Listings:** CA Title 24 Compliant, cETL Listed, LED Chips Tested to LM-80 Standards



Alcon 14726 Crystalline Series Recessed Troffer LED Downlight

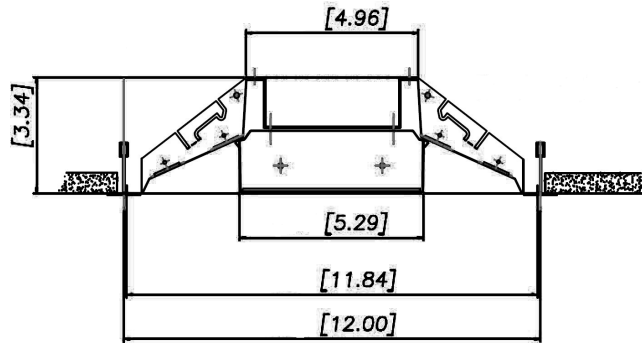


ORDERING INFORMATION Example: (14726-22-30-30K-GR)

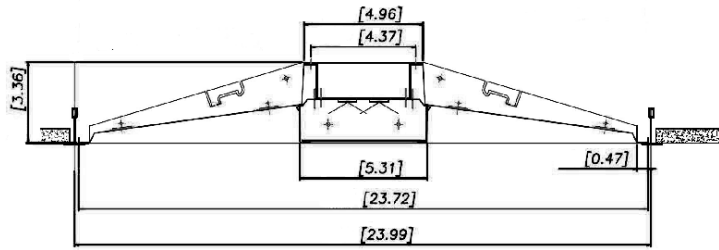
Model	Size	Wattage Lumens	Color Temperature	Trim Type	Options
14726	22 2x2	<small>2x2 Options</small> 22 22 watts, 2200 lms	30K 3000K	GR Grid (T-Bar)	EM Emergency Backup Battery (90 Min)
		30 30 watts, 3000 lms	35K 3500K		
	24 2x4	<small>2x4 Options</small> 46 46 watts, 4000 lms	40K 4000K		
		57 57 watts, 4700 lms	50K 5000K		
	14 1x4	<small>1x4 Options</small> 37 37 watts, 3300 lms			
		57 57 watts, 4700 lms			

FIXTURE DIMENSIONS

1x4



2x2



2x4

