

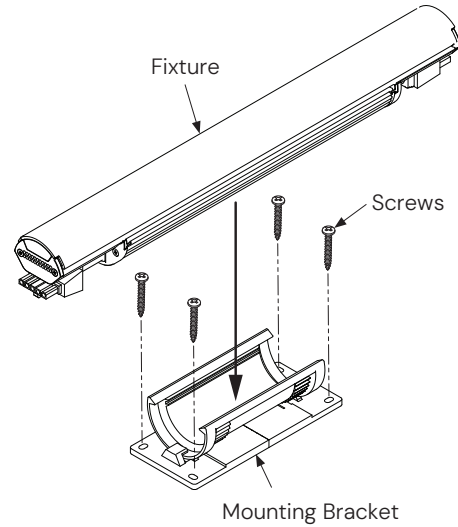
## INSTALLATION INSTRUCTIONS



WARNING: RISK OF ELECTRICAL SHOCK

- turn off main power prior to installation
- make sure hands are dry
- never touch exposed wires

- Remove brackets from the bottom of the fixture by pulling out slightly on the clamping sides of the bracket.
- Install mounting brackets onto mounting surface. Screw bracket firmly onto place.
- Press fixture carefully onto bracket to snap it into place.



## BEAM ANGLE

- Rotate the adjustable mounting clamp on the bracket to provide the best angle of illumination suitable for the application. Grasp the fixture and carefully pull up slightly to disengage the teeth and rotate to the desired position.

