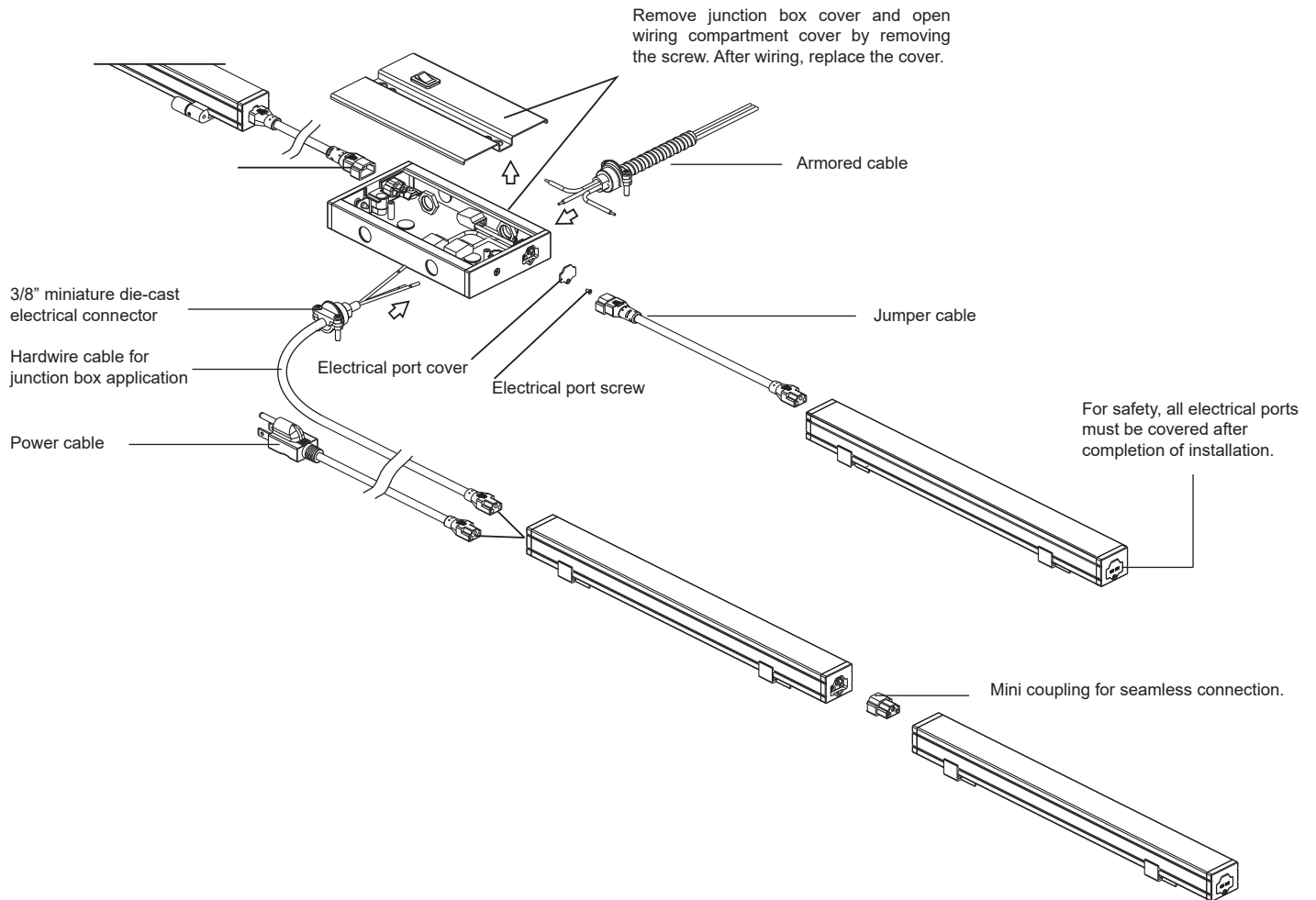


# INSTALLATION GUIDE



**WARNING: RISK OF ELECTRICAL SHOCK**  
*\* turn off main power prior to installation*  
*\* make sure hands are dry*  
*\* never touch exposed wires*

**1** JUNCTION BOX APPLICATION (JUNCTION BOX SOLD SEPARATELY).

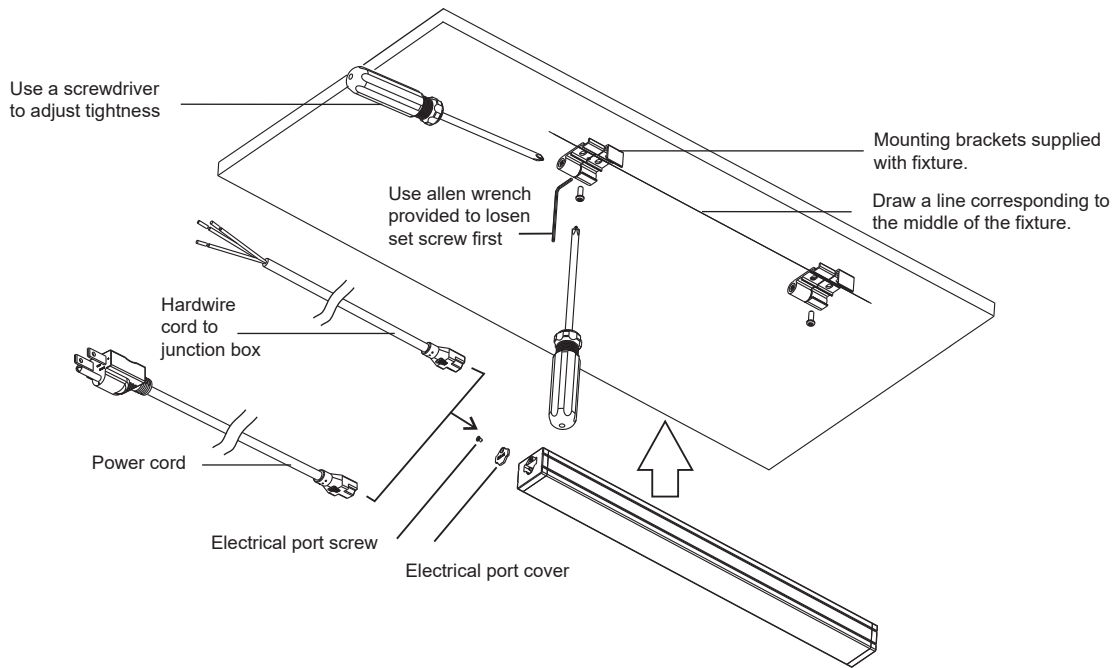
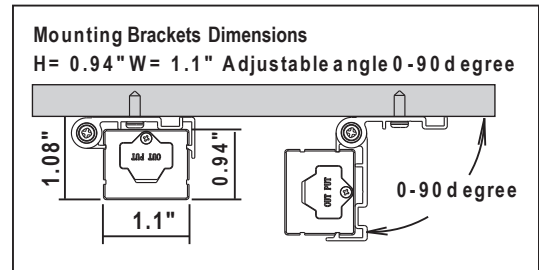


# INSTALLATION GUIDE



**WARNING: RISK OF ELECTRICAL SHOCK**  
*\* turn off main power prior to installation*  
*\* make sure hands are dry*  
*\* never touch exposed wires*

## 2 MOUNTING



# INSTALLATION GUIDE



**WARNING: RISK OF ELECTRICAL SHOCK**  
*\* turn off main power prior to installation*  
*\* make sure hands are dry*  
*\* never touch exposed wires*

## 3 WIRING

