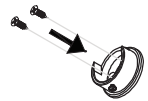
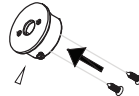
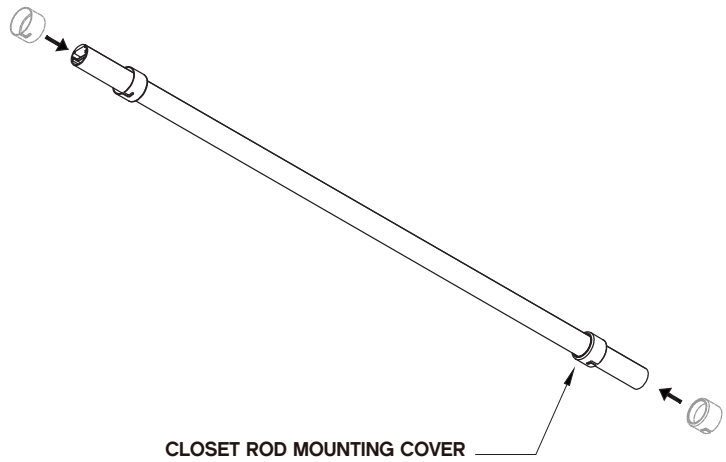


INSTALLATION INSTRUCTIONS

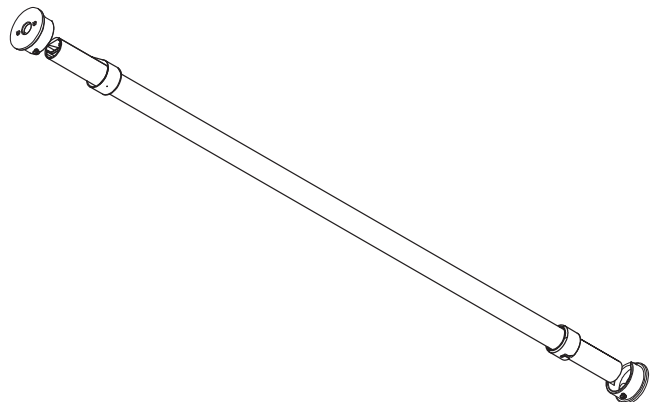
- 1 INSTALL TWO (2) CLOSET ROD MOUNTING FLANGES. SECURE TIGHTLY WITH A SCREWDRIVER.



- 2 INSTALL TWO (2) CLOSET ROD MOUNTING COVERS SUPPORT TO FIXTURE.

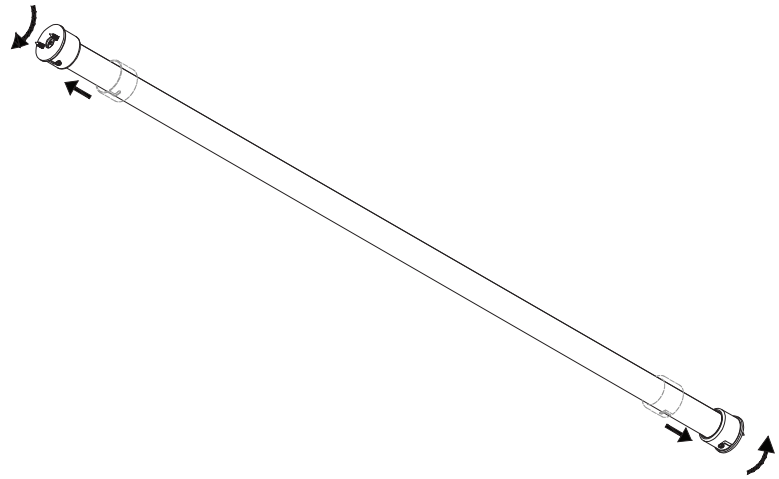


- 3 INSTALL ONTO CLOSET ROD MOUNTING BASE SUPPORT.

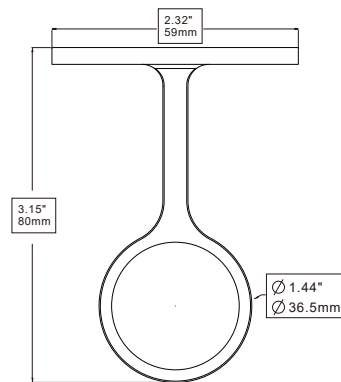


INSTALLATION INSTRUCTIONS

- 4** MOVE MOUNTING COVERS INTO BASE TO HOLD THE FIXTURE. SECURE FIXTURE BY ROTATING THE COVERS UNTIL IT LOCKS INTO PLACE.



- 5** FIXTURES LONGER THAN 48" REQUIRE HANGING SUPPORT



APPLY LED STRIP TO CHANNEL

- 1** PLACE INSULATION ON BOTH ENDS OF THE LED STRIP. PEEL OFF ADHESIVE BACKING AND ATTACH ONTO PROFILE. MAKE SURE LED STRIP IS COMPLETELY ADHERED TO PROFILE.
- 2** MOUNT DIFFUSER (LENS) ONTO PROFILE. LENS WILL SNAP SHUT WHEN IT IS FULLY SET INTO PLACE.
- 3** MOUNT CLOSET ROD MOUNTING COVERS ON EITHER SIDE. FOR LEAD WIRE GOING THROUGH THE END OF THE PROFILE, RUN LEAD WIRE THROUGH END CAP WITH HOLE. USE AN END CAP WITHOUT A HOLE FOR LEAD WIRES GOING THROUGH BOTTOM OF PROFILE.

