

Project Name: _____ Type: _____ Quantity: _____

INTENDED USE

Add value and functionality to storage and closet space with our LED-lighted rod by Regal. Our durable clothing rod and light source meets lighting industry standards for retrofit installation. This may be the ideal solution for illuminating dark storage and closet spaces

FEATURES

Voltage: 24V LED Fixture; 120-277V Triac, ELV, MLV and 0-10V Remote Driver

Wattage: 4W/ft

Lumens: 440 lm/ft

CRI: 90+

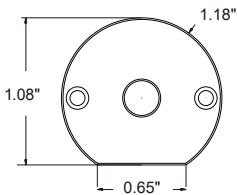
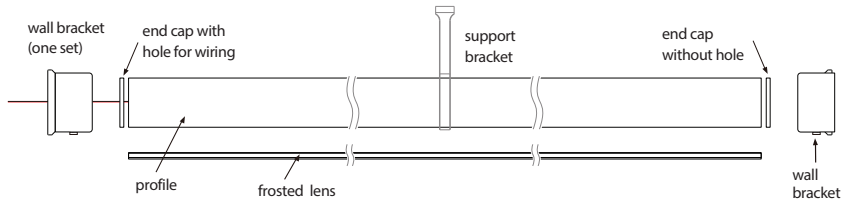
Beam Angle: 120°

Life: 50,000 hours

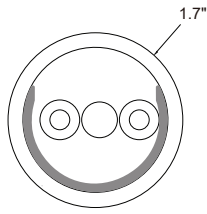
Warranty: 5 years carefree for parts & components
(Labor not included)

Listings: UL Listed, CA Title 24

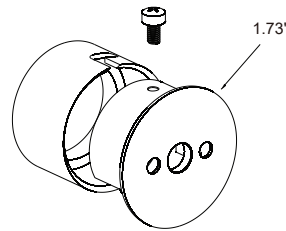
*Custom lengths are available. Max run is 8ft.
Field-cuttable in 1/16" increments.*



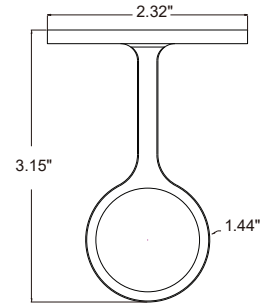
Profile



Wall Bracket End View



Wall Bracket (one set)



Support Bracket



ORDERING INFORMATION Example: [14205-4-27K-SL](#)

Model	Length	Color Temp	Finish	Accessories
14205	4 4 Foot	27K 2700K	SL Silver	SB Support Bracket ²
Regal	8 8 Foot	30K 3000K	BR Bronze	
	X Custom ³ (Replace X with Inches)	35K 3500K 40K 4000K 50K 5000K	BK¹ Black	

¹ Powder Coat Finish

² Required for any length after 4FT

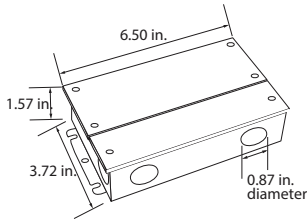
³ Maximum custom rod length is 8'

POWER SUPPLY

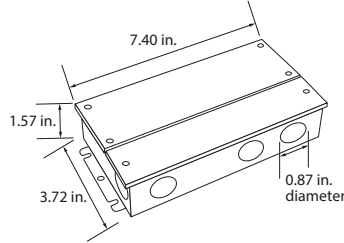
4N1 SERIES

Compatible with most TRIAC, ELV, MLV & 0-10V Dimmers

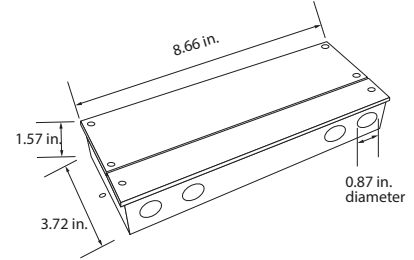
4N1-30W-24V



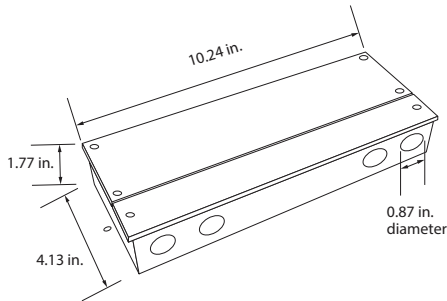
4N1-60W-24V



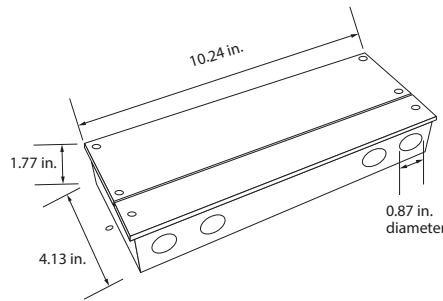
4N1-96W-24V



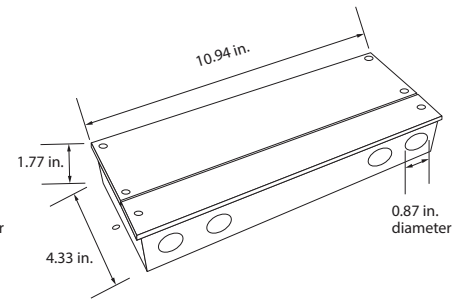
4N1-150W-24V



4N1-200W-24V



4N1-300W-24V

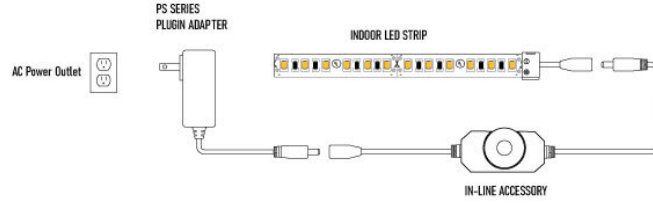


COLOR TEMPERATURE GUIDE

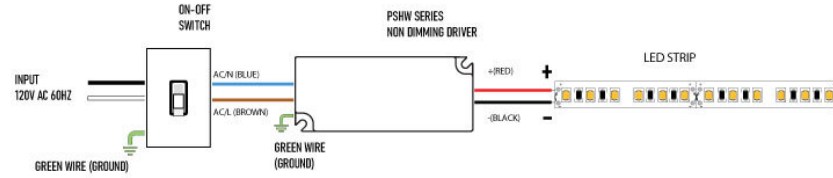
2700K	3000K	3500K	4000K	5000K
WARM WHITE	SOFT WHITE GLOW	NEUTRAL GLOW	DAYLIGHT GLOW	CRYSTAL WHITE GLOW
friendly personal intimate	soft warm pleasing	sociable inviting non-threatening	neat clean efficient	bright cool alert
HOMES LIBRARIES RESTAURANTS	HOMES HOTEL ROOMS LOBBIES RETAIL STORES	EXECUTIVE OFFICES RECEPTION AREAS SUPERMARKETS	OFFICES CLASSROOMS MASS MERCHANDISERS SHOWROOMS	GRAPHICS INDUSTRY HOSPITALS GALLERIES BEAUTY SALONS
✓	✓	✓	✓	✓

WIRING GUIDE

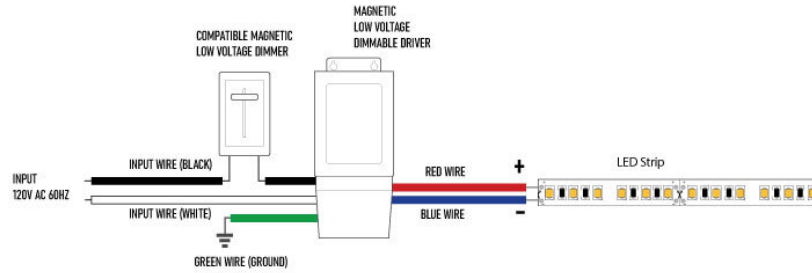
PLUG-IN ADAPTER SYSTEM



TRADITIONAL NON-DIMMING SYSTEM



MAGNETIC DIMMABLE DRIVER SYSTEM



ELECTRONIC DIMMABLE DRIVER SYSTEM

