

Project Name:

Type:

Quantity:

FIXTURE SPECIFICATIONS

INTENDED USE

This contemporary commercial and architectural-grade, 2x2 or 2x4 LED troffer light in 120 to 277 voltage delivers stylish design and clear illumination to commercial, hospitality and residential interiors. The recessed volumetric flat-panel LED troffer provides versatility in direct downlighting for office lighting as well as classrooms, conference rooms, museums, retail outlets and hotels and restaurants.

FEATURES

Construction: Die-formed, cold-rolled steel

Lumens: up to 125 lumens per watt efficiency

Voltage: 120-277V

Dimming: 0-10V dimming driver

Color Temperature: Color temperature selectable switch 3500K, 4000K, 5000K

CRI: 80+

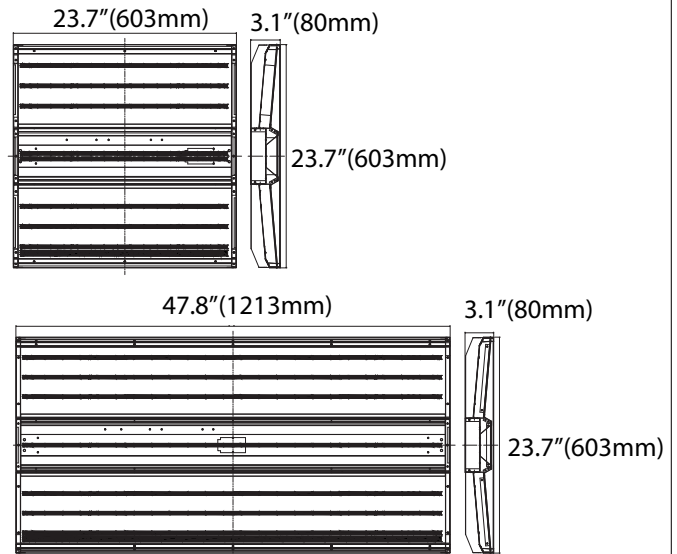
Life: 70,000 hours

Operating Temperature: -20 ~ +55 C

Power Factor: > 0.95

Warranty: 7 years carefree for parts & components (labor not included)

Listings: UL/cUL listed, Damp location rated, DLC Standard listed, FCC



Alcon 14128 Recessed Volumetric Flat-Panel Contemporary LED Troffer Light



ORDERING INFORMATION Example: (14125-22-E-ES1)

Model	Size Wattage Lumens	Options
14128	22 2' x 2' 35/25/20 W 4775/3750/2500 lms	EM7 Remote Emergency Back-up (700 lms)
	24 2' x 4' 46/36/28 W 5750/4500/3500 lms	EM14 Remote Emergency Back-up (1400 lms)
		EM20 Remote Emergency Back-up (2000 lms)